

Features

- Two accuracy ranks, $\pm 1.5\%$ FS and $\pm 2.5\%$ FS available
- Volt level output
- On-chip amplification and temperature compensations
- Pre-calibration of offset voltage and span
- Non-corrosive liquid measurable (XFPMC, XFHMC only)

Applications

- Industrial instrumentation
- Pressure switch, Pneumatic device
- Medical device

Part number for ordering

XFPM C - 025KP G R H

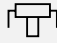

Model
XFPM
XFHM

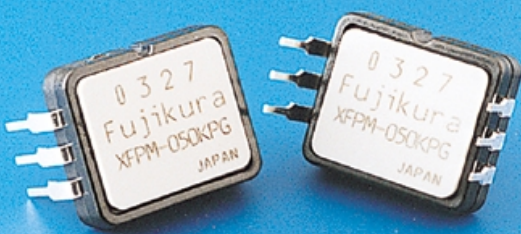

Available pressure media
No mark : Non-corrosive gas only
C : Non-corrosive gas and liquid

Rated pressure (Pa)

Pressure type
G : Gauge (Positive pressure)
GV : Gauge (Negative pressure)
GW : Gauge (Bipolar pressure)

Accuracy
No mark : $\pm 2.5\%$ FS
H : $\pm 1.5\%$ FS

Terminal leads direction
(See Outline Diagram)
No mark : 
R : 

Pressure type	Gauge pressure	
	XFPM	XFHM
Model		
Package configuration	Dual-In-line-Package (DIP)	Horizontal pressure port DIP

Measurable pressure range (kPa)	Part number for ordering							
	XFPM-100KPGW(H)	XFPM-100KPGVR(H)	XFPMC-100KPGW(H)	XFPMC-100KPGVR(H)	XFHM-100KPGW(H)	XFHM-100KPGVR(H)	XFHMC-100KPGW(H)	XFHMC-100KPGVR(H)
-100 ~ 100								
0 ~ 100								
0 ~ 25								
0 ~ 50								
0 ~ 100								
0 ~ 200								
0 ~ 1000								

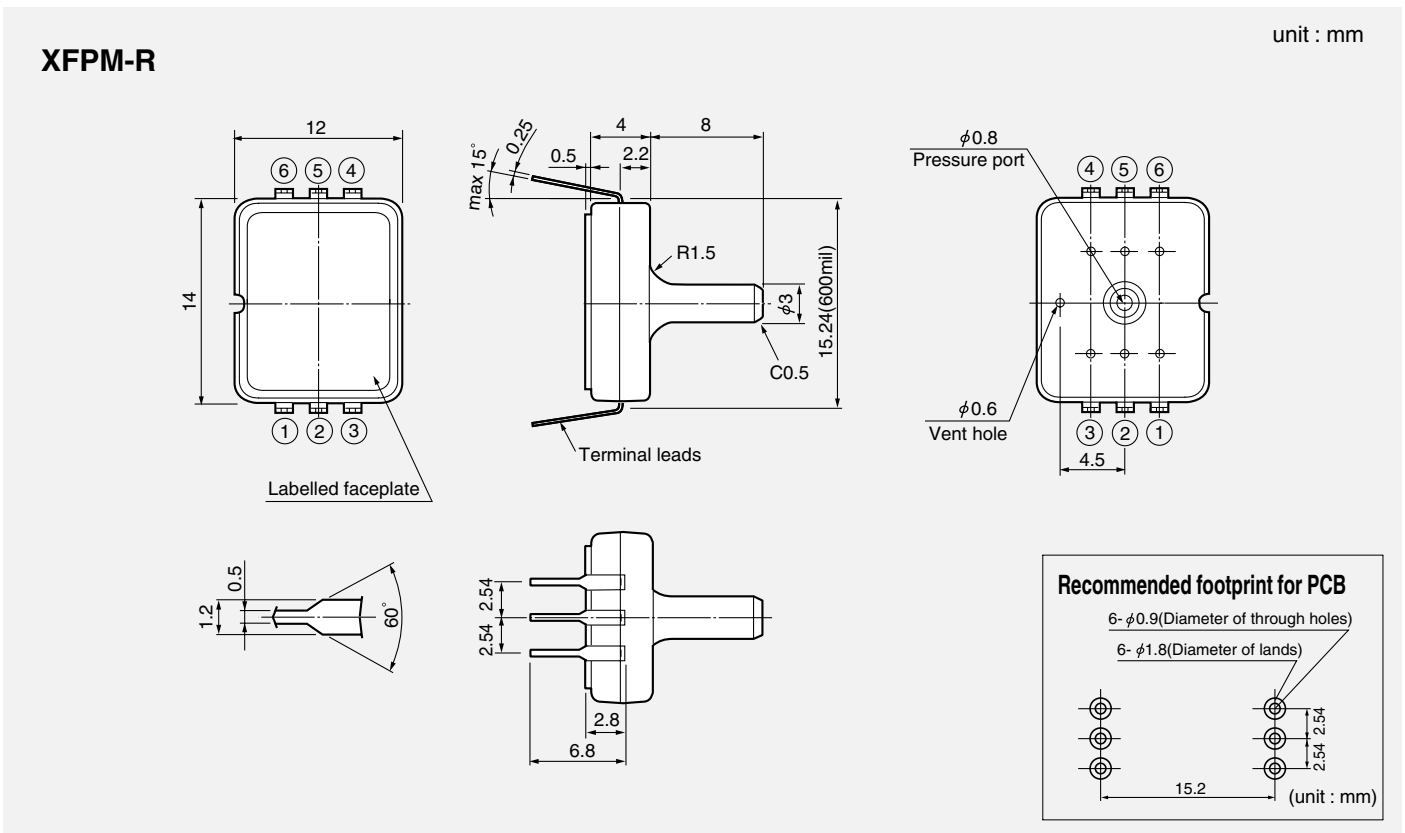
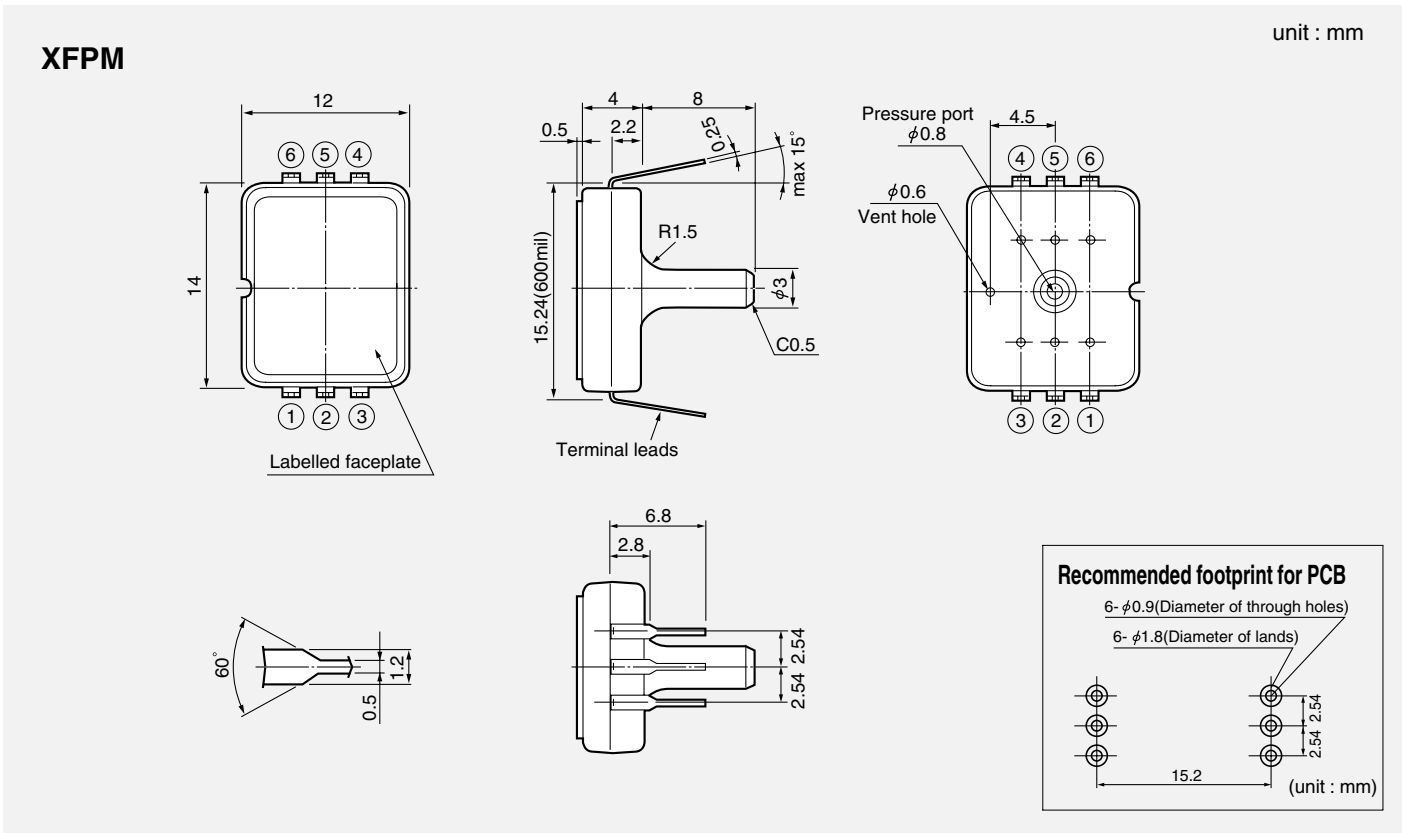
Specifications

Model/Rated pressure	100KPGW(H)	100KPGV(H)	025KPG(H)	050KPG(H)	100KPG(H)	200KPG(H)	001MPG(H)	Unit
Recommended operating conditions								
Pressure type	Gauge pressure							—
Rated pressure	± 100	-100	25	50	100	200	1000	kPa
Measurable pressure range	± 1.020	-1.020	0.255	0.510	1.020	2.040	10.20	kg/cm ²
Measurable pressure range	-100~100	0~-100	0~25	0~50	0~100	0~200	0~1000	kPa
Pressure media ※1	XFPM, XFHM : Non-corrosive gas only, XFPMC, XFHMC : Non-corrosive gas and liquid							—
Excitation voltage	5.0 \pm 0.25							VDC
Absolute maximum rating								
Maximum load pressure	Twice of rated pressure						1.5times of rated pressure	—
Maximum excitation voltage	8							VDC
Operating temperature	-40 ~ 125							°C
Storage temperature	-40 ~ 125							°C
Operating humidity	30 ~ 80 (No dew condensation)							%RH
Electric performances/characteristics(Excitation voltage Vcc=5.0V constant, Ambient temperature Ta=25°C)								
Current consumption	less than 10							mA
Output impedance	less than 10							Ω
Source current	less than 0.2							mA
Sink current	less than 2							mA
Mechanical response time	2 (For the reference)							msec
Full scale span voltage	4.5							V
Offset voltage ※2	0.2 \pm 0.1125, 0.2 \pm 0.0675(H)							V
Full scale span voltage ※2	4.7 \pm 0.1125, 4.7 \pm 0.0675(H)							V
Accuracy ※2	2.5, ± 1.5 (H)							%FS/0~85°C

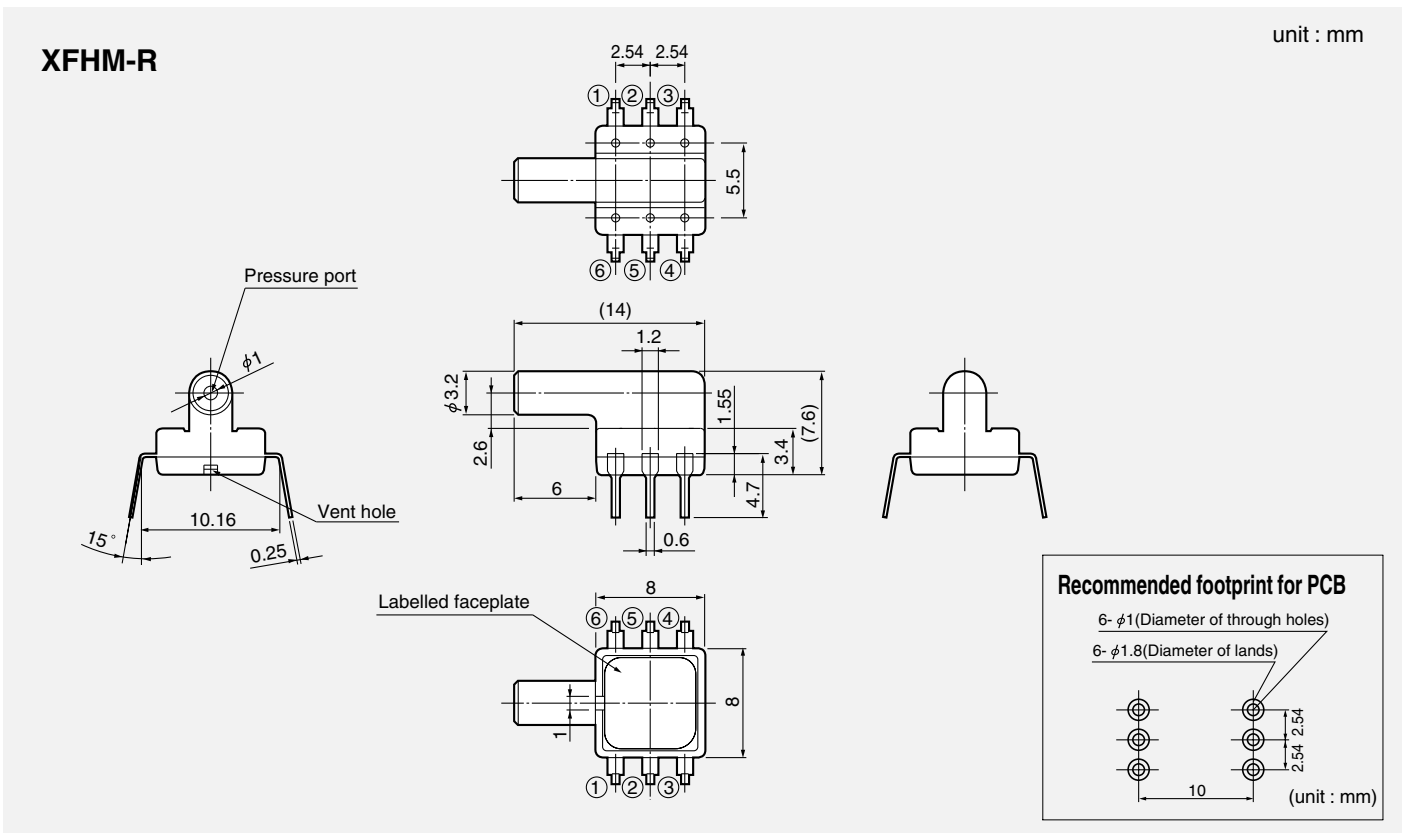
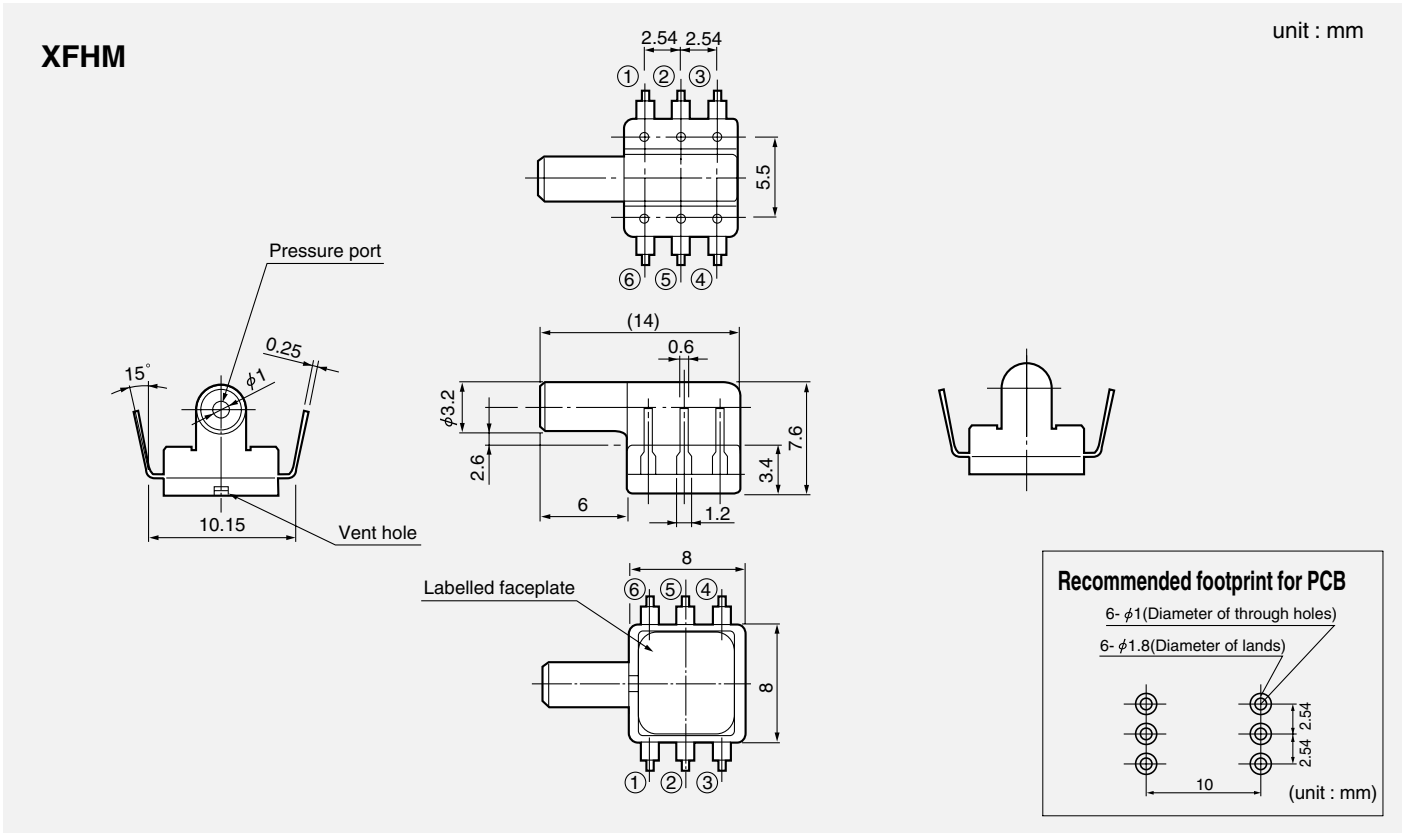
Note ; ※1) Please consult us available liquid pressure media when you choose the C models.

※2) Excluding input voltage error.

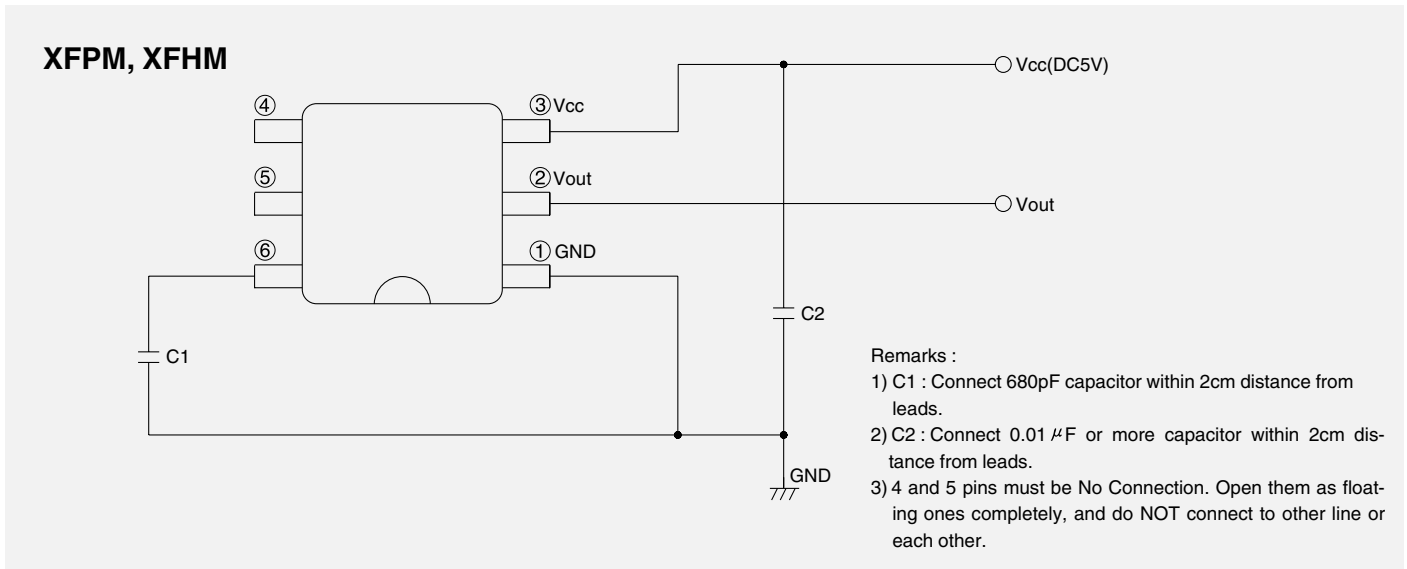
Outline dimensions



■ Outline dimensions ■



■ Connection diagram ■



Note ; Please read instruction "Notes" before using the sensor.
Fujikura reserves the right to change specifications without notice.

Fujikura Ltd.

If you have any questions regarding technical issues or specifications, please contact us.
Sensor Engineering Department 5-1 Kiba 1-chome, Koto-ku, Tokyo 135-8512, Japan
Phone +81-(0)3-5606-1072 Fax. +81-(0)3-5606-1538
E-mail : sensor@fujikura.co.jp