

OTC-239

THERMOPILE INFRARED SENSOR

■ Features

The thermopile sensor consists of a series of 44 thermoelements, forming a sensitive area of $0.5 \times 0.5 \text{ mm}^2$. The sensor is hermetically sealed into a TO-18 metal housing, with optical filter. This standard filter allows measurements to be made in the spectral range above $5 \mu\text{m}$ wavelength. The thermosensor exhibits an almost white noise, comparable to an ohmic resistance. It has a constant signal versus frequency up to its frequency limit, and is directly proportional to incident radiation. The thermopile sensors are featured with an additional thermistor on the same package. The standard version of thermistor is housing connected to ground.

■ Applications

- * Ear thermometers; clinic thermometers
- * Infrared thermometers
- * Consumer applications: hair dryer, micro-wave oven, air conditioner, refrigerator
- * Continuous temperature control of manufacturing
- * Security system
- * Radiation monitor switch system
- * Absorbing measurement for gas analysis
- * Thermoelectric converter
- * Heat flux flowmeter

■ Electrical Characteristics

ROITHNER LASERTECHNIK

Address : Schoenbrunner Str. 7, 1040 Vienna, Austria

Tel. No. : 43-1-586 52 43-0

Fax No. : 43-1-586 52 43-44

E-Mail : office@roithner-laser.com

http : www.roithner-laser.com

page : 1 / 7

Parameter	Condition	Min.	Typ.	Max.	Unit
Thermopile					
Number of thermojunctions		---	44	---	
Chip size		---	1920 x 725	---	μm^2
Active area	Interference layer	---	500 x 500	---	μm^2
Thickness of substrate	Silicon-substrate	600	625	650	μm
Resistance of thermopile	25 °C	60	70	80	KOhm
Sensitivity	With 5-14 μm filter	45	55	65	V/W
Detecctivity		$4 \cdot 10^7$	$7 \cdot 10^7$	$9 \cdot 10^7$	$\text{cm} \cdot \text{Hz}^{1/2} / \text{W}$
Time Constant		---	30	---	ms
Noise voltage		---	34	---	$\text{nV}/\text{Hz}^{1/2}$
NEP		---	0.8	---	$\text{nW}/\text{Hz}^{1/2}$
Temperature range	Operation	-20	---	100	°C
Temperature reference resistor					
Resistance (1)	25 °C	29.1	30.0	30.9	KOhm
Resistance (2)	25 °C	97	100	103	KOhm
Bvalue (1)	0°C/25 °C	3773	3811	3849	K
Bvalue (2)	0°C/25 °C	3950	3970	3990	K

Measured at 1 Hz chopper frequency, within spectral range 5-14 μm , using a blackbody radiator of 500 K temperature.

Note : Thermistor should be operated under 1 mA.

■ Thermopile voltage vs. blackbody temperature

ROITHNER LASERTECHNIK

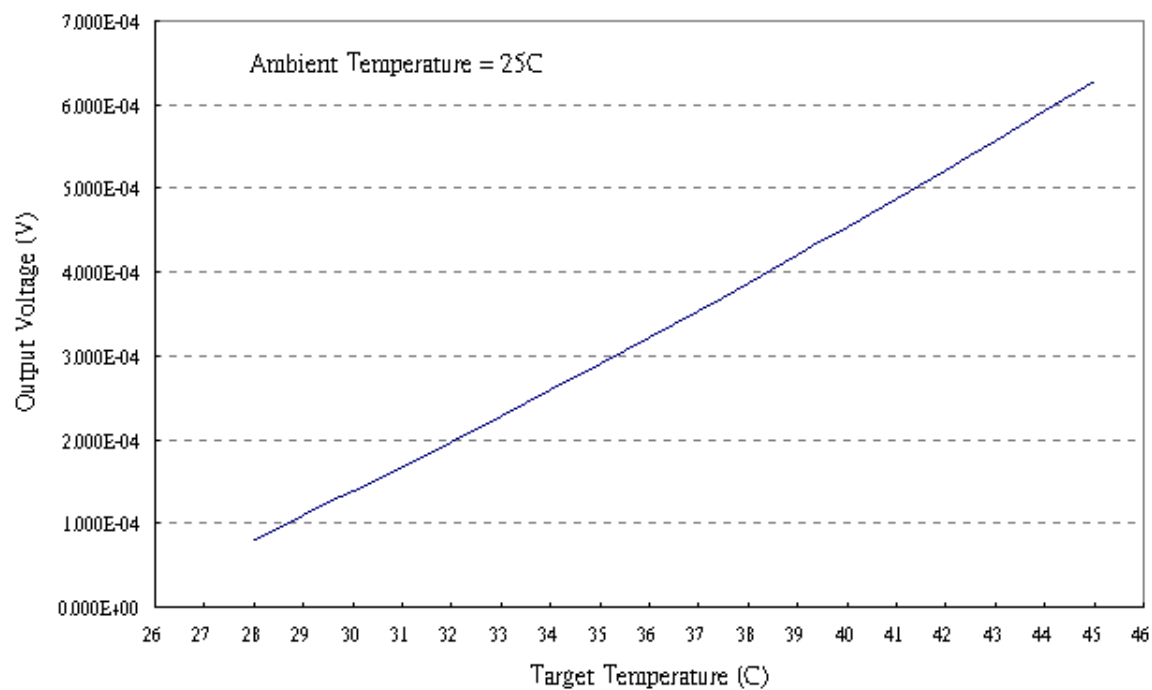
Address : Schoenbrunner Str. 7, 1040 Vienna, Austria

Tel. No. : 43-1-586 52 43-0

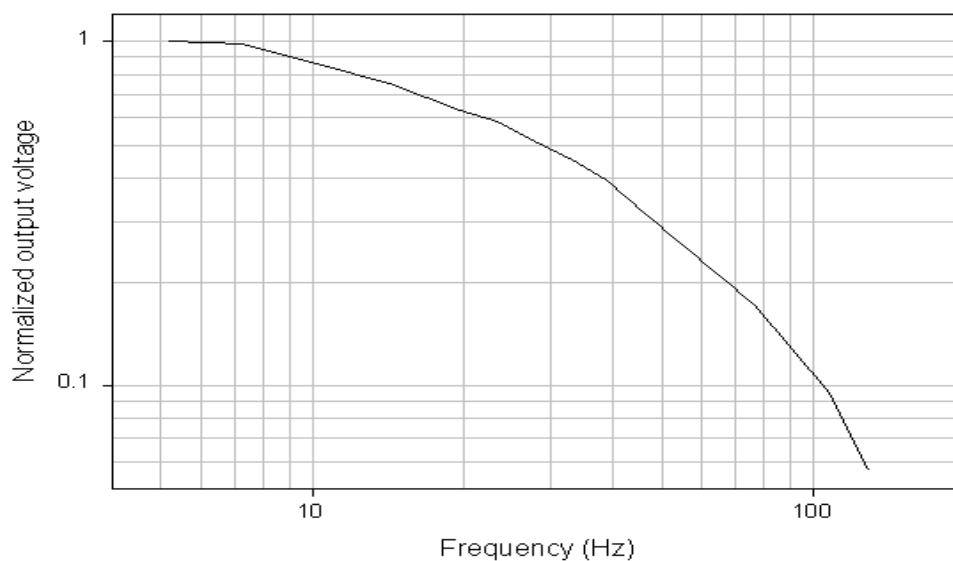
Fax No. : 43-1-586 52 43-44

E-Mail : office@roithner-laser.com

http : www.roithner-laser.com



■ Frequency response



■ Field of view

ROITHNER LASERTECHNIK

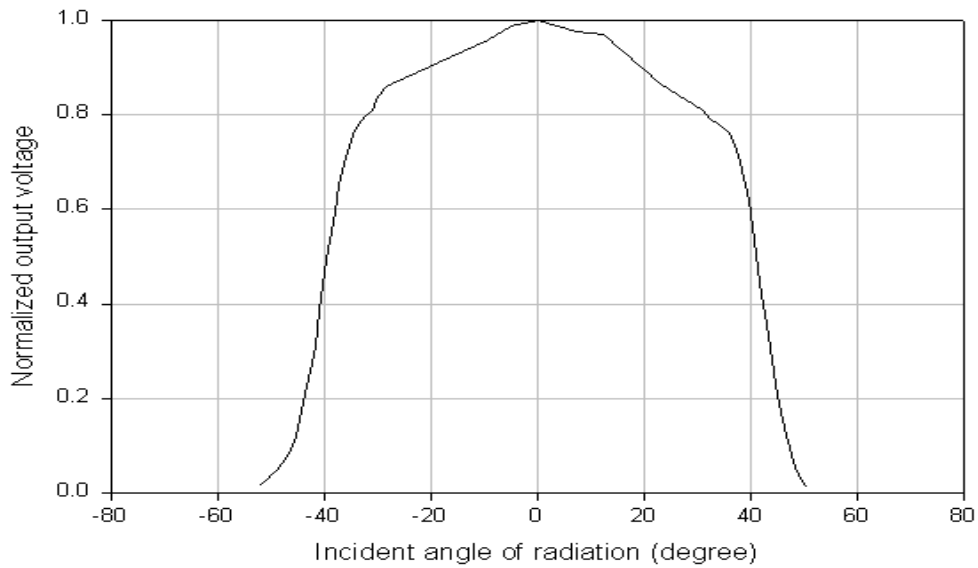
Address : Schoenbrunner Str. 7, 1040 Vienna, Austria

Tel. No. : 43-1-586 52 43-0

Fax No. : 43-1-586 52 43-44

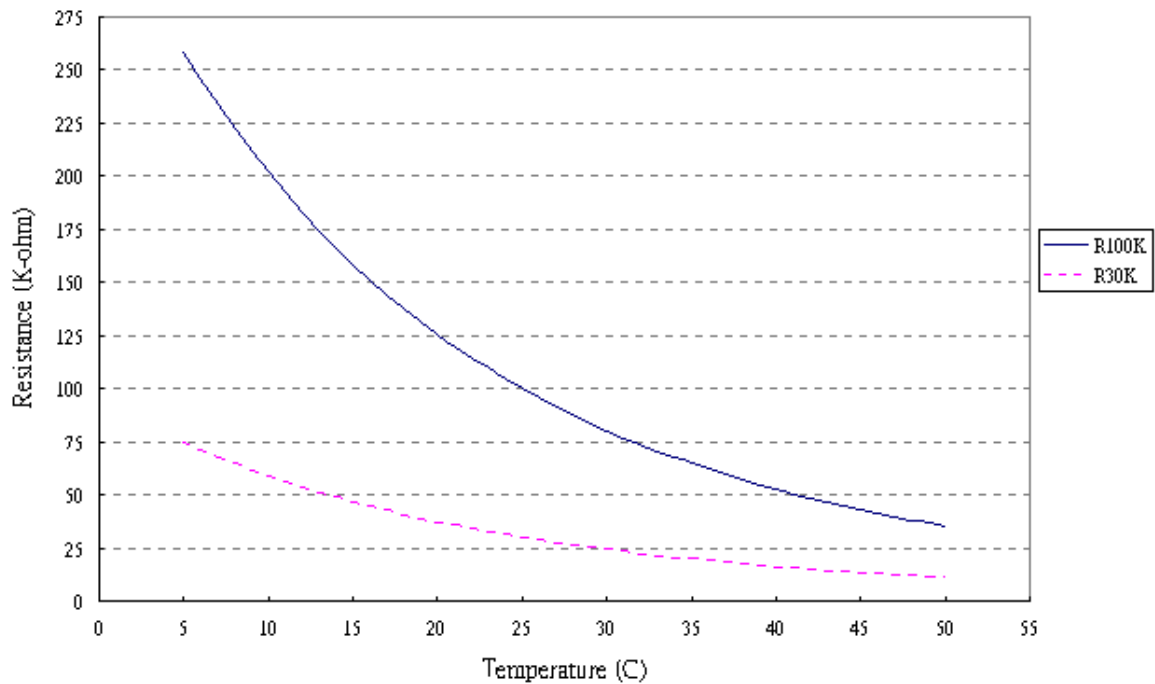
E-Mail : office@roithner-laser.com

http : www.roithner-laser.com



■ Thermistor vs. temperature

The resistance of the temperature reference resistor varies with temperature and the behaviour is illustrated in the following figure.



At temperature 25 °C, $R(T) = R_{25} e^{\beta \left[\frac{1}{T} - \frac{1}{T_{25}} \right]}$ describes the resistance vs. temperature,

ROITHNER LASERTECHNIK

Address : Schoenbrunner Str. 7, 1040 Vienna, Austria

Tel. No. : 43-1-586 52 43-0

Fax No. : 43-1-586 52 43-44

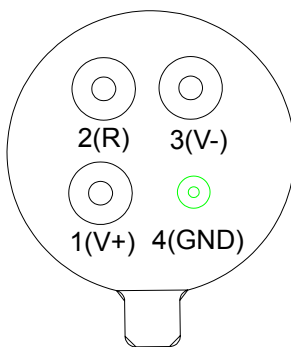
E-Mail : office@roithner-laser.com

http : www.roithner-laser.com

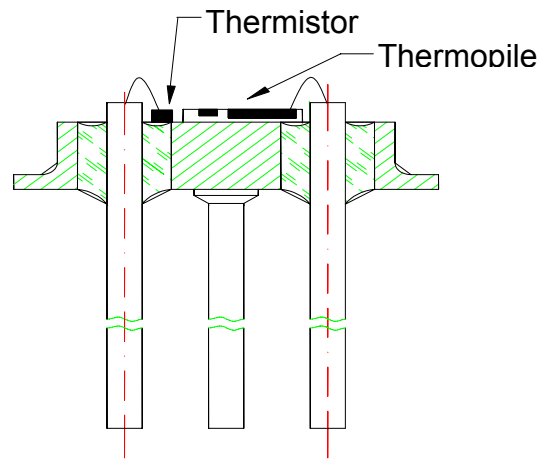
where R_{25} is the resistance at ambient temperature 25 °C and T , T_{25} are the ambient temperatures in unit of kelvin degrees.

■ Pin assignment & description

- 2 thermistor pin
- 4 thermistor pin (GND)
- 1 thermopile output pin (+)
- 3 thermopile output pin (-)



BACKSIDE VIEW



SIDE VIEW

■ Order information : OTC-239-A

- A : 1 : standard filter (5-14 μm)
- 2 : silicon filter with flat band transmission

ROITHNER LASERTECHNIK

Address : Schoenbrunner Str. 7, 1040 Vienna, Austria

Tel. No. : 43-1-586 52 43-0

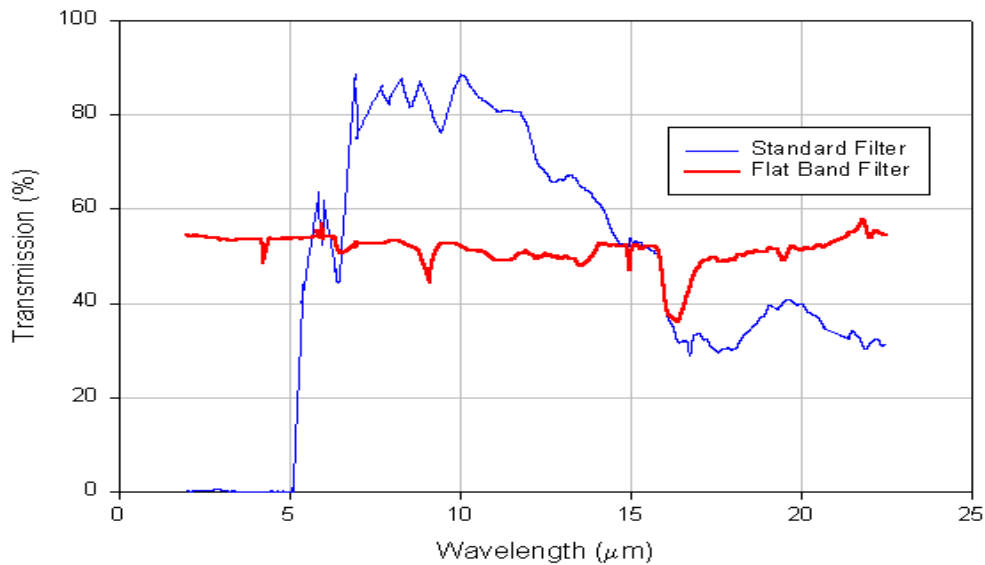
Fax No. : 43-1-586 52 43-44

E-Mail : office@roithner-laser.com

http : www.roithner-laser.com

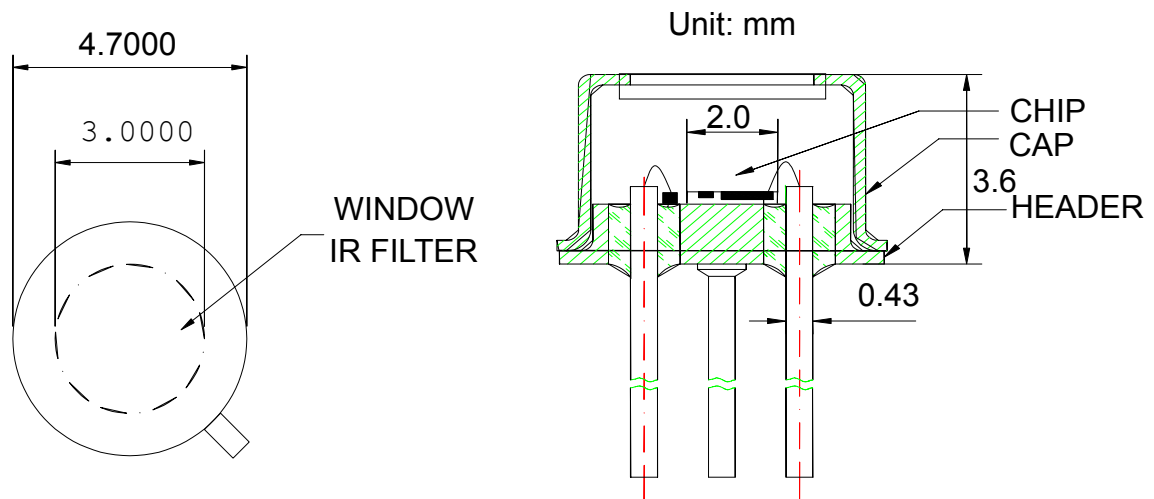
Transmission of filter

Transmission of optical filter is measured by FTIR from 2 μm



Package

The sensor is hermetically sealed into a TO-18 metal housing, with optical filter. This standard filter allows measurements to be made in the spectral range above 5 μm wavelength. The dimensions of header and cap are shown below.



ROITHNER LASERTECHNIK

Address : Schoenbrunner Str. 7, 1040 Vienna, Austria

Tel. No. : 43-1-586 52 43-0

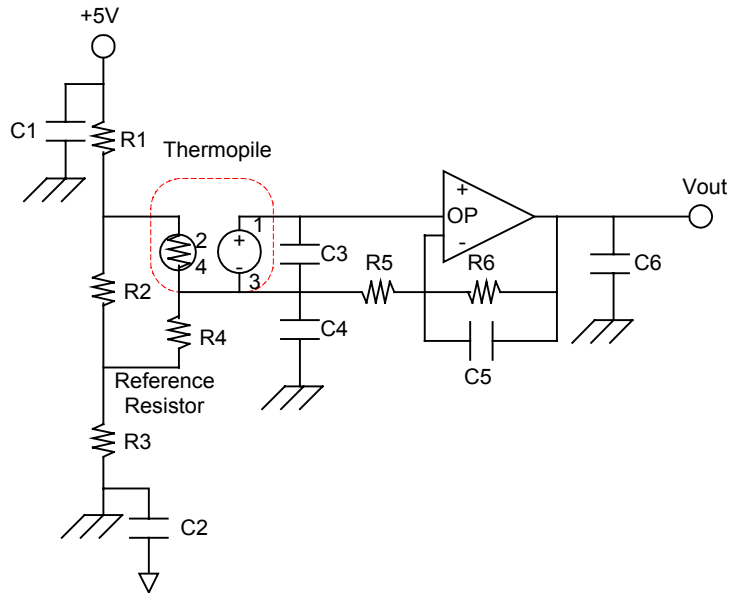
Fax No. : 43-1-586 52 43-44

E-Mail : office@roithner-laser.com

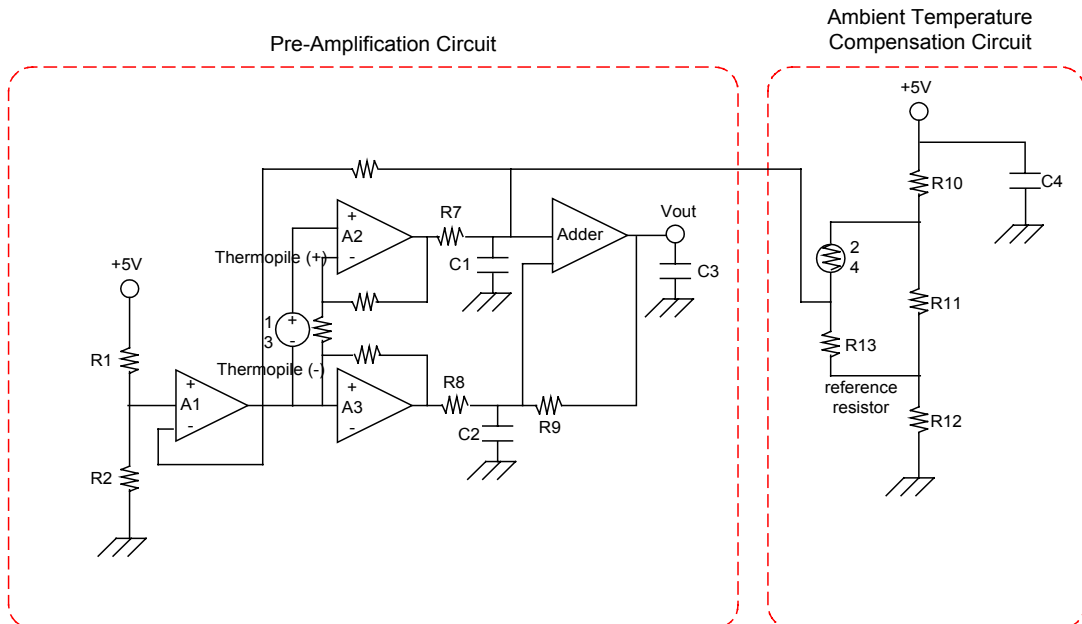
http : www.roithner-laser.com

■ Application circuit

Circuit 1 :



Circuit 2 :



ROITHNER LASERTECHNIK

Address : Schoenbrunner Str. 7, 1040 Vienna, Austria

Tel. No. : 43-1-586 52 43-0

Fax No. : 43-1-586 52 43-44

E-Mail : office@roithner-laser.com

http : www.roithner-laser.com

page : 7 / 7