

TP297A

THERMOPILE INFRARED SENSOR

■ Features

The thermopile sensor consists of a series of 44 thermoelements, forming a sensitive area of 0.5 x 0.5 mm². The sensor is hermetically sealed into a TO-5 metal housing, with optical filter. This filter allows measurements to be made in the spectral range above 8 µm wavelength. The thermosensor exhibits an almost white noise, comparable to an ohmic resistance. It has a constant signal versus frequency up to its frequency limit, and is directly proportional to incident radiation. The thermopile sensors are featured with an additional thermistor on the same package. The standard version of thermistor is housing connected to ground.

■ Applications

- * Ear thermometers; clinic thermometers
- * Infrared thermometers
- * Consumer applications: hair dryer, micro-wave oven, air conditioner, refrigerator
- * Continuous temperature control of manufacturing
- * Security system
- * Radiation monitor switch system
- * Absorbing measurement for gas analysis
- * Thermoelectric converter
- * Heat flux flowmeter

■ Electrical Characteristics

ROITHNER LASERTECHNIK

Address : Schoenbrunner Str. 7, A-1040 Vienna, Austria

Tel. No. : +43 1 586 52 43-0

Fax No. : +43 1 586 52 43-44

E-Mail : office@roithner-laser.com

http : www.roithner-laser.com

page : 1 / 8

| Parameter | Condition | Min. | Typ. | Max. | Unit |
|---------------------------------------|--------------------------------|----------------|----------------|----------------|--|
| Thermopile | | | | | |
| Number of thermojunctions | | --- | 44 | --- | |
| Chip size | | --- | 1920x1725 | --- | μm^2 |
| Active area | Interference layer | --- | 500x500 | --- | μm^2 |
| Thickness of substrate | Silicon-substrate | 600 | 625 | 650 | μm |
| Resistance of thermopile | 25 °C | 60 | 70 | 60 | KOhm |
| Chip Sensitivity | With 5-14 μm filter | 40 | 55 | 70 | V/W |
| Detectivity | | $4 \cdot 10^7$ | $7 \cdot 10^7$ | $9 \cdot 10^7$ | $\text{cm} \cdot \text{Hz}^{1/2} / \text{W}$ |
| Time Constant | | --- | 30 | --- | ms |
| Noise voltage | | --- | 34 | --- | $\text{nV}/\text{Hz}^{1/2}$ |
| NEP | | --- | 0.8 | --- | $\text{nW}/\text{Hz}^{1/2}$ |
| Temperature range | Operation | -20 | --- | 100 | °C |
| Temperature reference resistor | | | | | |
| Resistance (1) | 25 °C | 29.1 | 30.0 | 30.9 | KOhm |
| Resistance (2) | 25 °C | 97 | 100 | 103 | KOhm |
| β value (1) | 0°C/50 °C | 3773 | 3811 | 3849 | K |
| β value (2) | 0°C/50 °C | 3950 | 3970 | 3990 | K |

Measured at 1 Hz chopper frequency, within spectral range 5-14 μm , using a blackbody radiator of 500 K temperature.

Note : Thermistor should be operated under 1 mA.

ROITHNER LASERTECHNIK

Address : Schoenbrunner Str. 7, A-1040 Vienna, Austria

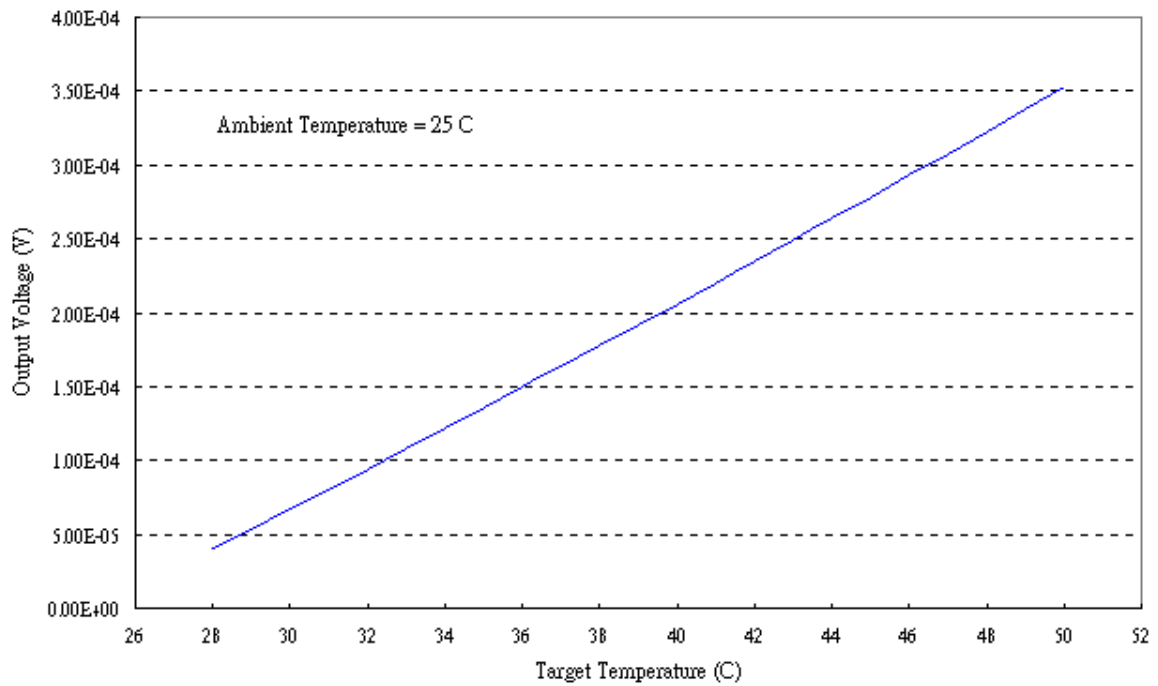
Tel. No. : +43 1 586 52 43-0

Fax No. : +43 1 586 52 43-44

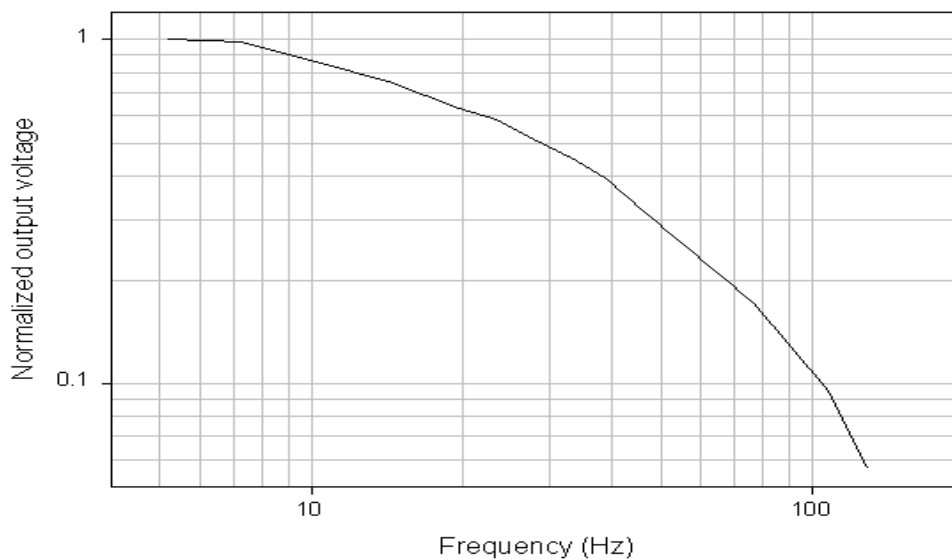
E-Mail : office@roithner-laser.com

http : www.roithner-laser.com

Thermopile voltage vs. blackbody temperature



Frequency response



ROITHNER LASERTECHNIK

Address : Schoenbrunner Str. 7, A-1040 Vienna, Austria

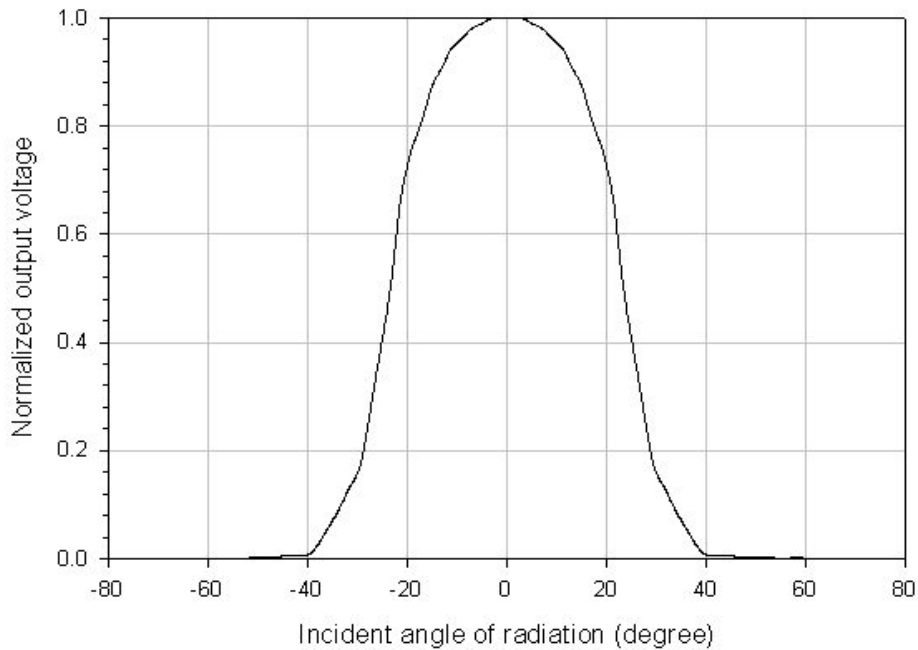
Tel. No. : +43 1 586 52 43-0

Fax No. : +43 1 586 52 43-44

E-Mail : office@roithner-laser.com

http : www.roithner-laser.com

■ Field of view



■ Thermistor vs. temperature

At temperature 25 °C, $R(T) = R_{25} e^{\beta \left[\frac{1}{T} - \frac{1}{T_{25}} \right]}$ describes the resistance vs. temperature, where R_{25} is the resistance at ambient temperature 25 °C and T , T_{25} are the ambient temperatures in unit of kelvin degrees.

The resistance of the temperature reference resistor varies with temperature and the behaviour is illustrated in the following figure.

ROITHNER LASERTECHNIK

Address : Schoenbrunner Str. 7, A-1040 Vienna, Austria

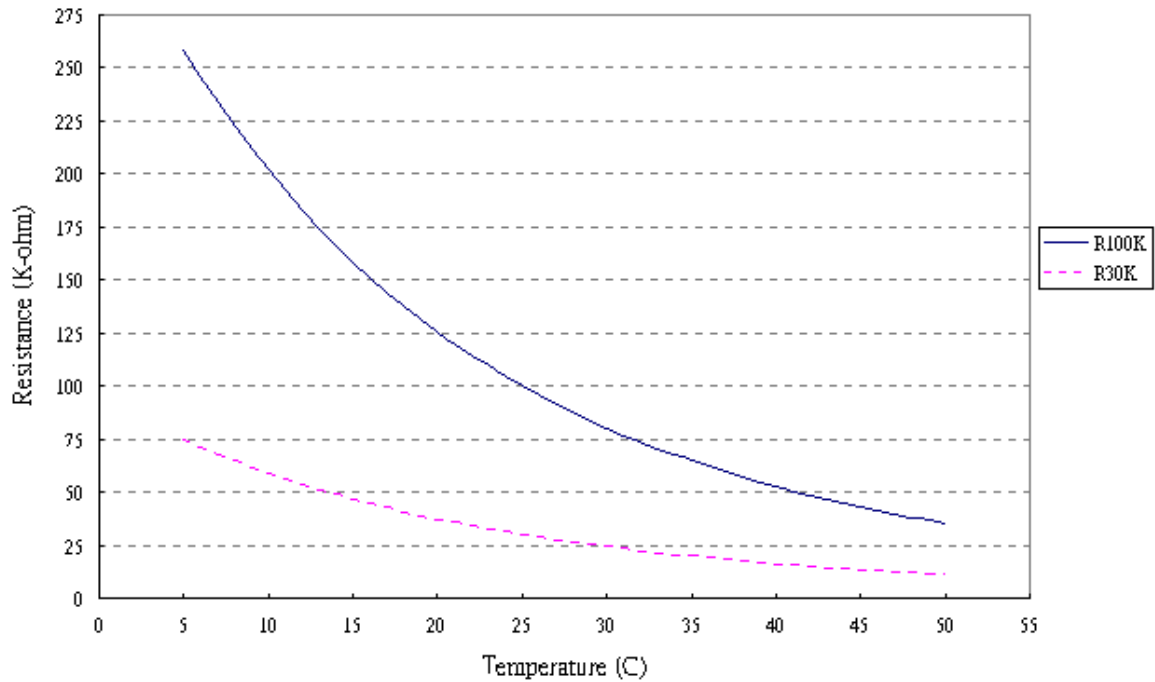
Tel. No. : +43 1 586 52 43-0

Fax No. : +43 1 586 52 43-44

E-Mail : office@roithner-laser.com

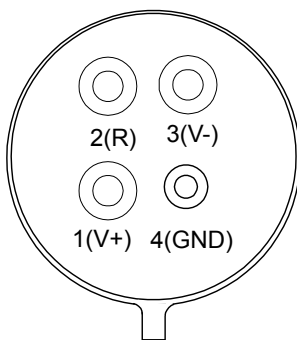
http : www.roithner-laser.com

page : 4 / 8

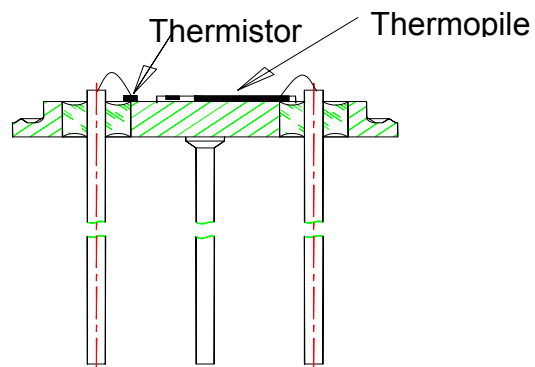


Pin assignment & description

- 2 thermistor pin
- 4 thermistor pin (GND)
- 1 thermopile output pin (+)
- 3 thermopile output pin (-)



BACKSIDE VIEW



SIDE VIEW

ROITHNER LASERTECHNIK

Address : Schoenbrunner Str. 7, A-1040 Vienna, Austria

Tel. No. : +43 1 586 52 43-0

Fax No. : +43 1 586 52 43-44

E-Mail : office@roithner-laser.com

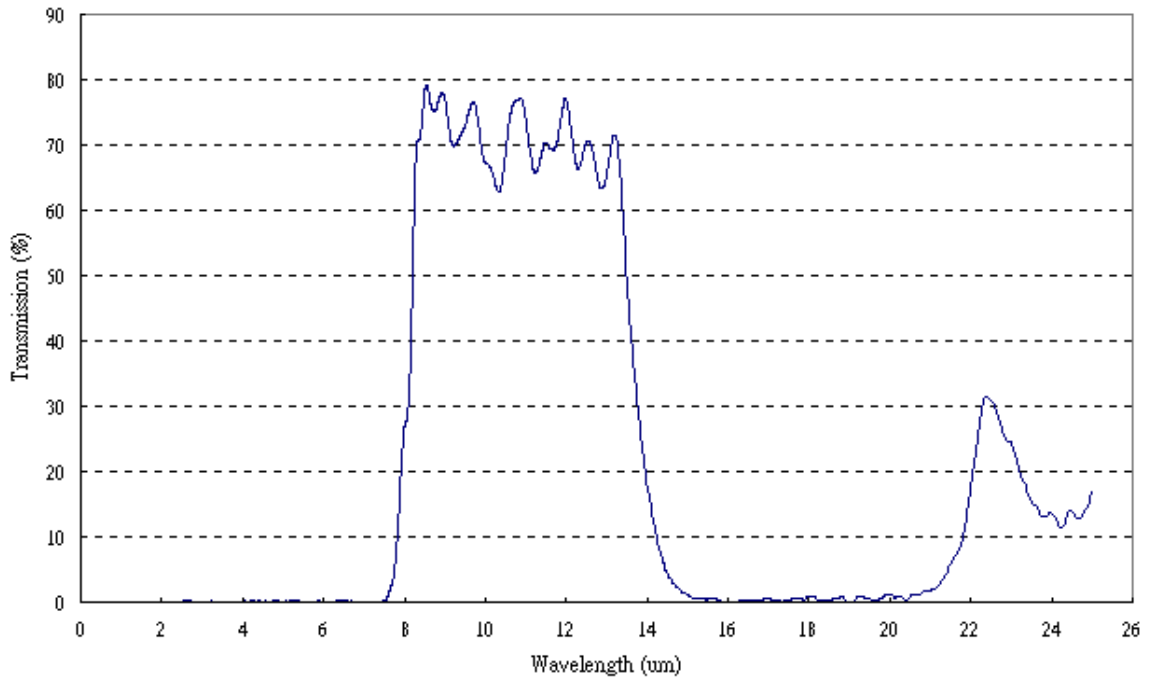
http : www.roithner-laser.com

Transmission of filter

Cut on wavelength : 8.0 ± 0.5 (μm)

Cut off wavelength : 14.0 ± 0.5 (μm)

Minimum average Transmission : $>70\%$ (with 9~13 μm)



Package

The sensor is hermetically sealed into a TO-5 metal housing, with optical filter. This filter allows measurements to be made in the spectral range above 8 μm wavelength. The dimensions of header and cap are shown below.

ROITHNER LASERTECHNIK

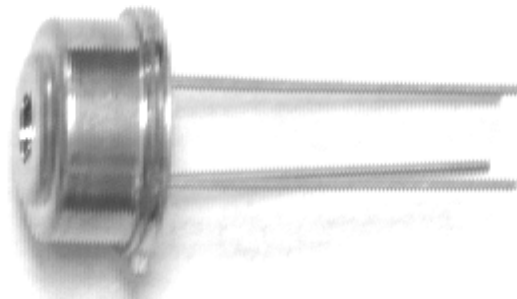
Address : Schoenbrunner Str. 7, A-1040 Vienna, Austria

Tel. No. : +43 1 586 52 43-0

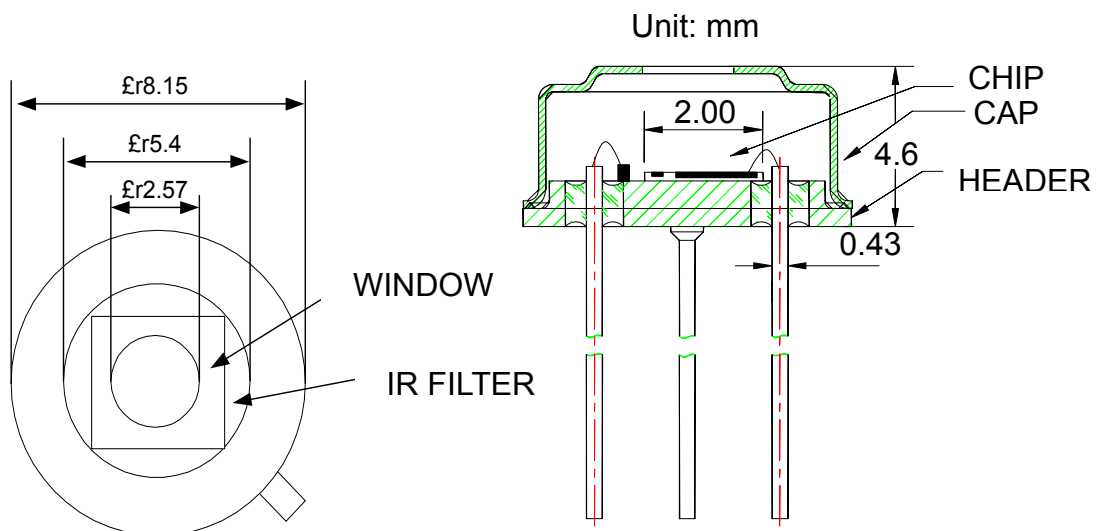
Fax No. : +43 1 586 52 43-44

E-Mail : office@roithner-laser.com

http : www.roithner-laser.com



TP297A



■ Application circuit

ROITHNER LASERTECHNIK

Address : Schoenbrunner Str. 7, A-1040 Vienna, Austria

Tel. No. : +43 1 586 52 43-0

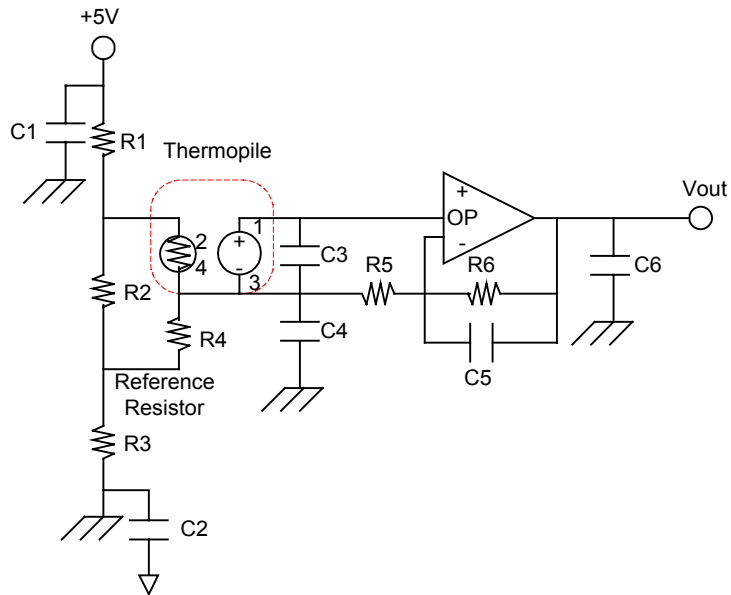
Fax No. : +43 1 586 52 43-44

E-Mail : office@roithner-laser.com

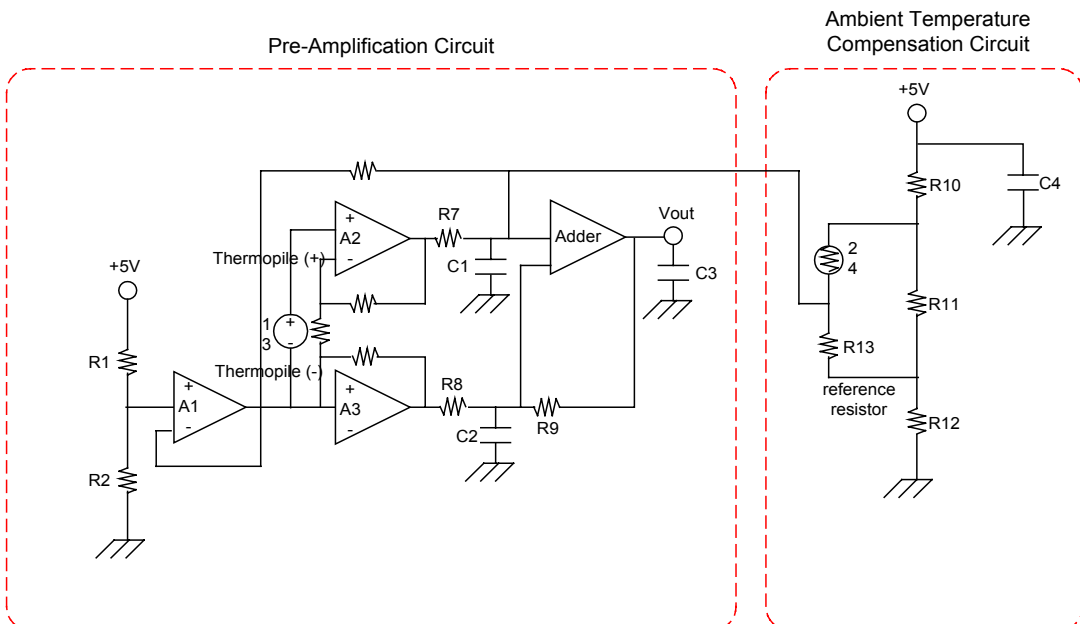
http : www.roithner-laser.com

page : 7 / 8

Circuit 1 :



Circuit 2 :



ROITHNER LASERTECHNIK

Address : Schoenbrunner Str. 7, A-1040 Vienna, Austria

Tel. No. : +43 1 586 52 43-0

Fax No. : +43 1 586 52 43-44

E-Mail : office@roithner-laser.com

http : www.roithner-laser.com