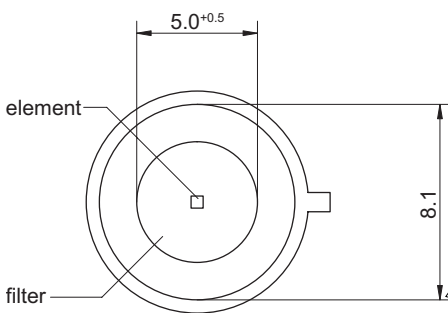
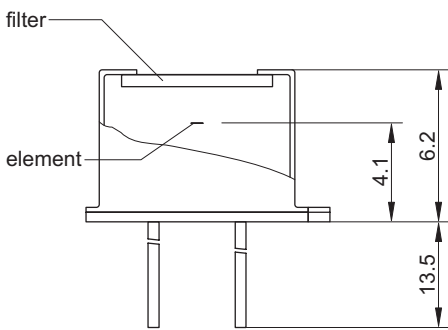
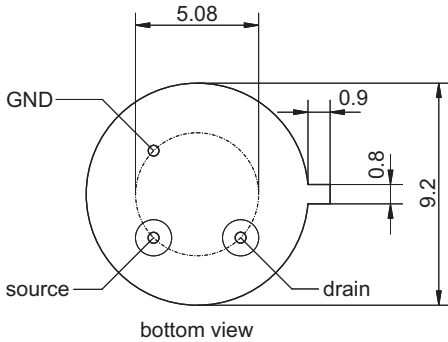




# HPS A02A

## Pyroelectric Single Element Detector for Measurement Applications



element size	0.5 mm × 0.5 mm
aperture	5.0 <sup>+0.5</sup> mm
filter <sup>3</sup>	Ge* or Si* (8–14 μm)
responsivity <sup>1,2</sup>	> 3500 V/W
noise <sup>1</sup>	< 500 nV/√Hz
specific detectivity <sup>1,2</sup>	> 3 · 10 <sup>8</sup> cm √Hz/W
offset voltage	0.4–1.5 V
operating voltage	2–18 V
housing	TO 39
operating temperature	–20 to 70 °C
storage temperature	–20 to 70 °C

- 1) frequency: 10 Hz, detector temperature: 25 °C  
 2) blackbody source temperature: 500 K, filter transmission: 100 %  
 3) other filters on request

