

Fast Infrared Transceiver Module (FIR, 4 Mbit/s) for 2.4 V to 3.6 V Operation

Description

The TFDU6300 transceiver is an infrared transceiver module compliant to the latest IrDA physical layer low-power standard for fast infrared data communication, supporting IrDA speeds up to 4 Mbit/s (FIR), HP-SIR[®], Sharp ASK[®] and carrier based remote control modes up to 2 MHz. Integrated within the transceiver module is a photo PIN diode, an infrared emitter (IRED), and a low-power control IC to provide a total front-end solution in a single package.

This new Vishay FIR transceiver is built in a new smaller package using the experiences of the lead frame BabyFace technology. The transceivers are capable of directly interfacing with a wide variety of I/O devices, which perform the modulation/demodulation function. At a minimum, a Vcc bypass capacitor is the



only external component required implementing a complete solution. TFDU6300 has a tri-state output and is floating in shutdown mode with a weak pull-up. An otherwise identical transceiver with low-voltage (1.8 V) logic levels is available as TFDU6301.

Features

- Compliant to the latest IrDA physical layer communication (Up to 4 Mbit/s), HP-SIR[®], Sharp ASK[®] and TV Remote Control
- Operates from 2.4 V to 3.6 V within specification
- Low power consumption (1.8 mA typ. supply current)
- Power shutdown mode (0.1 μ A typ. shutdown current)
- Surface mount package
 - Universal (L 8.5 mm x H 2.5 mm x W 3.1 mm)
- Tri-state-receiver output, floating in shut down with a weak pull-up



- High efficiency emitter
- Low profile (universal) package capable of surface mount soldering to side and top view orientation
- Directly interfaces with various Super I/O and controller devices
- Only one external component required
- Backward pin to pin compatible to all Vishay SIR and FIR Infrared Transceivers
- Split power supply, transmitter and receiver can be operated from two power supplies with relaxed requirements saving costs
- Lead (Pb)-free device
- Device in accordance to RoHS 2002/95/EC and WEEE 2002/96EC

Applications

- Notebook computers, desktop PCs, Palmtop computers (Win CE, Palm PC), PDAs
- Digital cameras and video cameras
- Printers, fax machines, photocopiers, screen projectors
- Telecommunication products (cellular phones, pagers)
- Internet TV boxes, video conferencing systems
- External infrared adapters (dongles)
- Medical and industrial data collection

Parts Table

Part	Description	Qty / Reel or Tube
TFDU6300-TR3	Oriented in carrier tape for side view surface mounting	2500 pcs
TFDU6300-TT3	Oriented in carrier tape for side view surface mounting	2500 pcs

Functional Block Diagram

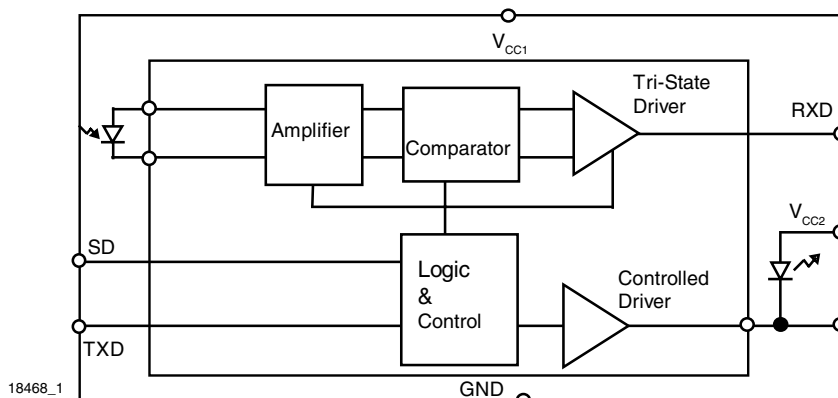


Figure 1. Functional Block Diagram

Pin Description

Pin Number	Function	Description	I/O	Active
1	V _{CC2} IRED Anode	IRED anode to be externally connected to V _{CC2} (V _{IRED}). For higher voltages than 3.6 V an external resistor might be necessary for reducing the internal power dissipation. This pin is allowed to be supplied from an uncontrolled power supply separated from the controlled V _{CC1} - supply.		
2	IRED Cathode	IRED cathode, internally connected to driver transistor		
3	TXD	This input is used to transmit serial data when SD is low. An on-chip protection circuit disables the IRED driver if the TXD pin is asserted for longer than 100 μs. When used in conjunction with the SD pin, this pin is also used to control the receiver mode. Logic reference: V _{CC1}	I	HIGH
4	RXD	Received data output, push-pull CMOS driver output capable of driving standard CMOS. No external pull-up or pull-down resistor is required. Floating with a weak pull-up of 500 kOhm (typ.) in shutdown mode. High/Low levels related to V _{CC1} . RXD echoes the TXD signal.	O	LOW
5	SD	Shutdown, also used for dynamic mode switching. Setting this pin active places the module into shutdown mode. On the falling edge of this signal, the state of the TXD pin is sampled and used to set receiver low bandwidth (TXD = Low: SIR) or high bandwidth (TXD = High: MIR and FIR) mode.	I	HIGH
6	V _{CC1}	Supply voltage		
7	NC	Internally not connected.	I	
8	GND	Ground		

TFDU6301
weight 0.075 g



19531

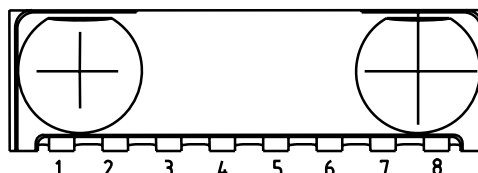


Figure 2. Pinning



Absolute Maximum Ratings

Reference point Pin: GND unless otherwise noted.

Typical values are for DESIGN AID ONLY, not guaranteed nor subject to production testing.

Parameter	Test Conditions	Symbol	Min	Typ.	Max	Unit
Supply voltage range, transceiver	$0\text{ V} < V_{CC2} < 6\text{ V}$	V_{CC1}	- 0.5		6	V
Supply voltage range, transmitter	$0\text{ V} < V_{CC1} < 6\text{ V}$	V_{CC2}	- 0.5		6.5	V
Voltage at all I/O pins	$V_{in} < V_{CC1}$ is allowed		- 0.5		6	V
Input currents	For all pins, except IRED anode pin				10	mA
Output sinking current					25	mA
Power dissipation		P_D			500	mW
Junction temperature		T_J			125	°C
Ambient temperature range (operating)		T_{amb}	- 25		+ 85	°C
Storage temperature range		T_{stg}	- 25		+ 85	°C
Soldering temperature	See chapter "Recommended Solder Profiles"				260	°C
Average output current		$I_{IRED} (DC)$			150	mA
Repetitive pulse output current	$< 90\ \mu s, t_{on} < 20\ %$	$I_{IRED} (RP)$			700	mA
ESD protection	Human body model		1			kV
Virtual source size	Method: (1-1/e) encircled energy	d	1.8	2.0		mm
Maximum Intensity for Class 1	IEC60825-1 or EN60825-1, edition Jan. 2001	I_e			*) (500)**)	mW/sr

*) Due to the internal limitation measures and the IrDA defined transmission protocol the device is a "class 1" device when operated inside the absolute maximum ratings

***) IrDA specifies the maximum intensity with 500 mW/sr

Definitions:

In the Vishay transceiver data sheets the following nomenclature is used for defining the IrDA operating modes:
SIR: 2.4 kbit/s to 115.2 kbit/s, equivalent to the basic serial infrared standard with the physical layer version IrPhy 1.0

MIR: 576 kbit/s to 1152 kbit/s

FIR: 4 Mbit/s

VFIR: 16 Mbit/s

MIR and FIR were implemented with IrPhy 1.1, followed by IrPhy 1.2, adding the SIR Low Power Standard. IrPhy 1.3 extended the Low Power Option to MIR and FIR and VFIR was added with IrPhy 1.4. A new version of the standard in any case obsoletes the former version. With introducing the updated versions the old versions are obsolete. Therefore the only valid IrDA standard is the actual version IrPhy 1.4 (in Oct. 2002).

Electrical Characteristics

Transceiver

$T_{amb} = 25\text{ }^{\circ}\text{C}$, $V_{CC1} = V_{CC2} = 2.4\text{ V}$ to 3.6 V unless otherwise noted.

Typical values are for DESIGN AID ONLY, not guaranteed nor subject to production testing.

Parameter	Test Conditions	Symbol	Min	Typ.	Max	Unit
Supply voltage		V_{CC}	2.4		3.6	V
Dynamic Supply current	Receive mode only, idle In transmit mode, add additional 85 mA (typ) for IRED current. Add RXD output current depending on RXD load.					
	SIR mode	I_{CC}		1.8	3.0	mA
	MIR/FIR mode	I_{CC}		2.0	3.3	mA
Shutdown supply current	SD = High $T = 25\text{ }^{\circ}\text{C}$, not ambient light sensitive, detector is disabled in shutdown mode	I_{SD}		0.01		μA
Shutdown supply current	SD = High, full specified temperature range, not ambient light sensitive	I_{SD}			1	μA
Operating temperature range		T_A	- 25		+ 85	$^{\circ}\text{C}$
Input voltage low (TXD, SD)		V_{IL}	- 0.5		0.5	V
Input voltage high (TXD, SD)	CMOS level*)	V_{IH}	$V_{CC} - 0.3$		6	V
Input leakage current (TXD, SD)	$V_{in} = 0.9 \times V_{CC1}$	I_{ICH}	- 1		+ 1	μA
Input capacitance, TXD, SD		C_I			5	pF
Output voltage low	$I_{OL} = 500\text{ }\mu\text{A}$ $C_{load} = 15\text{ pF}$	V_{OL}			0.4	V
Output voltage high	$I_{OH} = - 250\text{ }\mu\text{A}$ $C_{load} = 15\text{ pF}$	V_{OH}	$0.9 \times V_{CC1}$			V
Output RXD current limitation high state low state	Short to Ground Short to V_{CC1}				20 20	mA mA
SD shutdown pulse duration	Activating shutdown		30		∞	μs
RXD to V_{CC1} impedance		R_{RXD}	400	500	600	k Ω
SD mode programming pulse duration	All modes	t_{SDPW}	200			ns

*) The typical threshold level is $0.5 \times V_{CC1}$ ($V_{CC1} = 3\text{ V}$). It is recommended to use the specified min/max values to avoid increased operating current.



Optoelectronic Characteristics

Receiver

T_{amb} = 25 °C, V_{CC1} = V_{CC2} = 2.4 V to 3.6 V unless otherwise noted.

Typical values are for DESIGN AID ONLY, not guaranteed nor subject to production testing.

Parameter	Test Conditions	Symbol	Min	Typ.	Max	Unit
Minimum irradiance E _e [*] in angular range **)	9.6 kbit/s to 115.2 kbit/s λ = 850 nm to 900 nm, V _{CC} = 2.4 V	E _e		50 (5)	80 (8)	mW/m ² (μW/cm ²)
Minimum irradiance E _e in angular range, MIR mode	1.152 Mbit/s λ = 850 nm to 900 nm, V _{CC} = 2.4 V	E _e		100 (10)		mW/m ² (μW/cm ²)
Minimum irradiance E _e in angular range, FIR mode	4 Mbit/s λ = 850 nm to 900 nm, V _{CC} = 2.4 V	E _e		130 (13)	200 (20)	mW/m ² (μW/cm ²)
Maximum irradiance E _e in angular range ***)	λ = 850 nm to 900 nm	E _e	5 (500)			kW/m ² (mW/cm ²)
Rise time of output signal	10 % to 90 %, C _L = 15 pF	t _r (RXD)	10		40	ns
Fall time of output signal	90 % to 10 %, C _L = 15 pF	t _f (RXD)	10		40	ns
RXD pulse width of output signal, 50 %, SIR mode	Input pulse length 1.4 μs < P _{Wopt} < 25 μs	t _{PW}	1.6	2.2	3	μs
RXD pulse width of output signal, 50 %, MIR mode	Input pulse length P _{Wopt} = 217 ns, 1.152 Mbit/s	t _{PW}	105	250	275	ns
RXD pulse width of output signal, 50 %, FIR mode	Input pulse length P _{Wopt} = 125 ns, 4 Mbit/s	t _{PW}	105	125	145	ns
RXD pulse width of output signal, 50 %, FIR mode	Input pulse length P _{Wopt} = 250 ns, 4 Mbit/s	t _{PW}	225	250	275	ns
Stochastic jitter, leading edge	Input irradiance = 100 mW/m ² , 4.0 Mbit/s 1.152 Mbit/s ≤ 115.2 kbit/s				25 80 350	ns ns ns
Receiver start up time	After completion of shutdown programming sequence Power on delay				250	μs
Latency		t _L		40	100	μs

Note: All timing data measured with 4 Mbit/s are measured using the IrDA[®] FIR transmission header. The data given here are valid 5 μs after starting the preamble.

) IrDA low power specification is 90 mW/m². Specification takes into account a window loss of 10 %.

) **IrDA sensitivity definition (equivalent to threshold irradiance):

Minimum Irradiance E_e In Angular Range, power per unit area. The receiver must meet the BER specification while the source is operating at the minimum intensity in angular range into the minimum half-angle range at the maximum Link Length.

) **Maximum Irradiance E_e In Angular Range, power per unit area. The optical power delivered to the detector by a source operating at the maximum intensity in angular range at Minimum Link Length must not cause receiver overdrive distortion and possible related link errors. If placed at the Active Output Interface reference plane of the transmitter, the receiver must meet its bit error ratio (BER) specification.

For more definitions see the document "Symbols and Terminology" on the Vishay Website (<http://www.vishay.com/docs/82512/82512.pdf>).

Transmitter

$T_{amb} = 25\text{ }^{\circ}\text{C}$, $V_{CC1} = V_{CC2} = 2.4\text{ V}$ to 3.6 V unless otherwise noted.

Typical values are for DESIGN AID ONLY, not guaranteed nor subject to production testing.

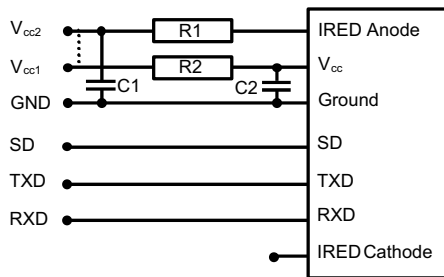
Parameter	Test Conditions	Symbol	Min	Typ.	Max	Unit
IREC operating current, switched current limiter	Note: No external resistor current limiting resistor is needed	I_D	330	440	600	mA
Output leakage IRED current		I_{IRED}	- 1		1	μA
Output radiant intensity, s. figure 3, recommended appl. circuit	$V_{CC} = V_{IRED} = 3.3\text{ V}$, $\alpha = 0^{\circ}$ TXD = High, SD = Low, R1 = $1\ \Omega$	I_e	65	180	500*)	mW/sr
Output radiant intensity, s. figure 3, recommended appl. circuit	$V_{CC} = V_{IRED} = 3.3\text{ V}$, $\alpha = 0^{\circ}, 15^{\circ}$ TXD = High, SD = Low, R1 = $1\ \Omega$	I_e	50	125	500*)	mW/sr
Output radiant intensity	$V_{CC1} = 3.3\text{ V}$, $\alpha = 0^{\circ}, 15^{\circ}$ TXD = Low or SD = High (Receiver is inactive as long as SD = High)	I_e			0.04	mW/sr
Output radiant intensity, Angle of Half Intensity		α		± 24		deg
Peak - emission wavelength**)		λ_p	875	886	900	nm
Spectral bandwidth		$\Delta\lambda$		45		nm
Optical rise time, Optical fall time		t_{ropt} , t_{fopt}	10		40	ns
Optical output pulse duration	Input pulse width 217 ns, 1.152 Mbit/s	t_{opt}	207	217	227	ns
Optical output pulse duration	Input pulse width 125 ns, 4 Mbit/s	t_{opt}	117	125	133	ns
Optical output pulse duration	Input pulse width 250 ns, 4 Mbit/s	t_{opt}	242	250	258	ns
Optical output pulse duration	input pulse width $t < 100\ \mu\text{s}$ input pulse width $t \geq 100\ \mu\text{s}$	t_{opt} t_{opt}	20	t	100	μs μs
Optical overshoot					25	%

*) Maximum value is given by the IrDA-Standard

**) Note: Due to this wavelength restriction compared to the IrDA spec of 850 nm to 900 nm the transmitter is able to operate as source for the standard Remote Control applications with codes as e.g. Philips RC5/RC6® or RECS 80. When operated under IrDA full range conditions (125 mW/sr) the RC range to be covered is in the range from 8 m to 12 m, provided that state of the art remote control receivers are used

Recommended Circuit Diagram

Operated at a clean low impedance power supply the TFDU6300 needs no additional external components. However, depending on the entire system design and board layout, additional components may be required (see figure 3).



19307

Figure 3. Recommended Application Circuit

The capacitor C1 is buffering the supply voltage and eliminates the inductance of the power supply line. This one should be a Tantalum or other fast capacitor to guarantee the fast rise time of the IRED current. The resistor R1 is only necessary for high operating voltages and elevated temperatures.

Vishay transceivers integrate a sensitive receiver and a built-in power driver. The combination of both needs

a careful circuit board layout. The use of thin, long, resistive and inductive wiring should be avoided. The inputs (TXD, SD) and the output RXD should be directly (DC) coupled to the I/O circuit.

The capacitor C2 combined with the resistor R2 is the low pass filter for smoothing the supply voltage.

R2, C1 and C2 are optional and dependent on the quality of the supply voltages V_{CCx} and injected noise. An unstable power supply with dropping voltage during transmission may reduce the sensitivity (and transmission range) of the transceiver.

The placement of these parts is critical. It is strongly recommended to position C2 as close as possible to the transceiver power supply pins. A Tantalum capacitor should be used for C1 while a ceramic capacitor is used for C2.

In addition, when connecting the described circuit to the power supply, low impedance wiring should be used.

When extended wiring is used the inductance of the power supply can cause dynamically a voltage drop at V_{CC2} . Often some power supplies are not able to follow the fast current rise time. In that case another 4.7 μ F (type, see table under C1) at V_{CC2} will be helpful.

Keep in mind that basic RF-design rules for circuit design should be taken into account. Especially longer signal lines should not be used without termination. See e. g. "The Art of Electronics" Paul Horowitz, Winfield Hill, 1989, Cambridge University Press, ISBN: 0521370957.

Table 1.
Recommended Application Circuit Components

Component	Recommended Value	Vishay Part Number
C1	4.7 μ F, 16 V	293D 475X9 016B
C2	0.1 μ F, Ceramic	VJ 1206 Y 104 J XXMT
R1	no resistor necessary, the internal controller is able to control the current	
R2	10 Ω , 0.125 W	CRCW-1206-10R0-F-RT1

I/O and Software

In the description, already different I/Os are mentioned. Different combinations are tested and the function verified with the special drivers available from the I/O suppliers. In special cases refer to the I/O manual, the Vishay application notes, or contact directly Vishay Sales, Marketing or Application.

Mode Switching

The TFDU6300 is in the SIR mode after power on as a default mode, therefore the FIR data transfer rate has to be set by a programming sequence using the TXD and SD inputs as described below. The low frequency mode covers speeds up to 115.2 kbit/s. Signals with higher data rates should be detected in the high frequency mode. Lower frequency data can also be received in the high frequency mode but with reduced sensitivity. To switch the transceivers from low frequency mode to the high frequency mode and vice versa, the programming sequences described below are required.

Setting to the High Bandwidth Mode (0.576 Mbit/s to 4 Mbit/s)

1. Set SD input to logic "HIGH".
2. Set TXD input to logic "HIGH". Wait $t_s \geq 200$ ns.
3. Set SD to logic "LOW" (this negative edge latches state of TXD, which determines speed setting).
4. After waiting $t_h \geq 200$ ns TXD can be set to logic "LOW". The hold time of TXD is limited by the maximum allowed pulse length.

TXD is now enabled as normal TXD input for the high bandwidth mode.

Setting to the Lower Bandwidth Mode (2.4 kbit/s to 115.2 kbit/s)

1. Set SD input to logic "HIGH".
2. Set TXD input to logic "LOW". Wait $t_s \geq 200$ ns.
3. Set SD to logic "LOW" (this negative edge latches state of TXD, which determines speed setting).
4. TXD must be held for $t_h \geq 200$ ns.

TXD is now enabled as normal TXD input for the lower bandwidth mode.

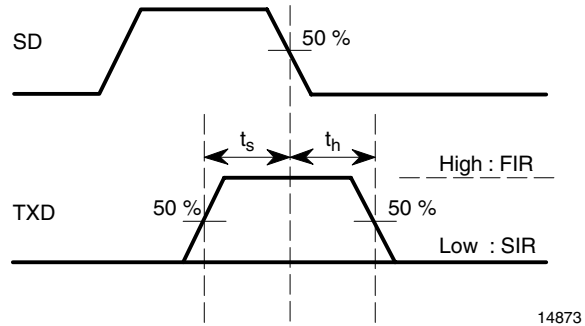


Figure 4. Mode Switching Timing Diagram

Table 2.
Truth table

Inputs		Outputs		
SD	TXD	Optical input Irradiance mW/m ²	RXD	Transmitter
high	x	x	weakly pulled (500 kΩ) to V _{CC1}	0
low	high	x	high	I _e
low	high > 100 μs	x	high	0
low	low	< 4	high	0
low	low	> Min. detection threshold irradiance < Max. detection threshold irradiance	low (active)	0
low	low	> Max. detection threshold irradiance	x	0

Recommended Solder Profiles for TFDU6300

Solder Profile for Sn/Pb soldering

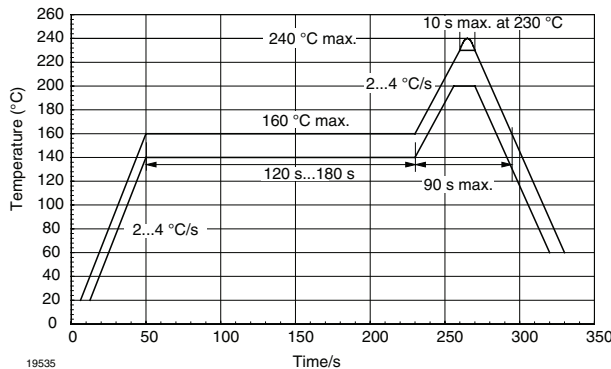


Figure 5. Recommended Solder Profile for Sn/Pb soldering

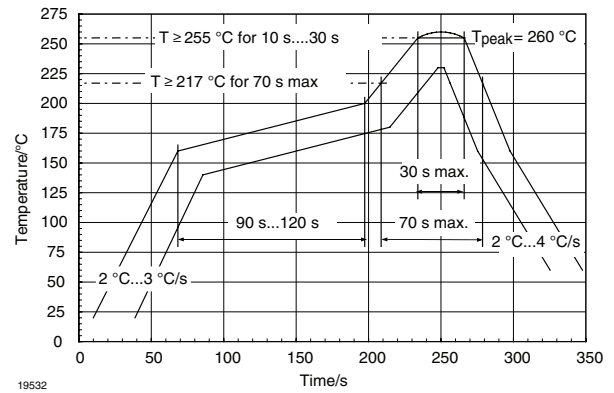


Figure 6. Solder Profile, RSS Recommendation

Lead (Pb)-Free, Recommended Solder Profile

The TFDU6300 is a lead (Pb)-free transceiver and qualified for lead (Pb)-free processing. For lead (Pb)-free solder paste like $\text{Sn}_{(3.0-4.0)}\text{Ag}_{(0.5-0.9)}\text{Cu}$, there are two standard reflow profiles: Ramp-Soak-Spike (RSS) and Ramp-To-Spike (RTS). The Ramp-Soak-Spike profile was developed primarily for reflow ovens heated by infrared radiation. With widespread use of forced convection reflow ovens the Ramp-To-Spike profile is used increasingly. Shown below in figure 6 and 7 are VISHAY's recommended profiles for use with the TFDU6300 transceivers. For more details please refer to Application note: SMD Assembly Instruction.

A ramp-up rate less than 0.9 °C/s is not recommended. Ramp-up rates faster than 1.3 °C/s could damage an optical part because the thermal conductivity is less than compared to a standard IC.

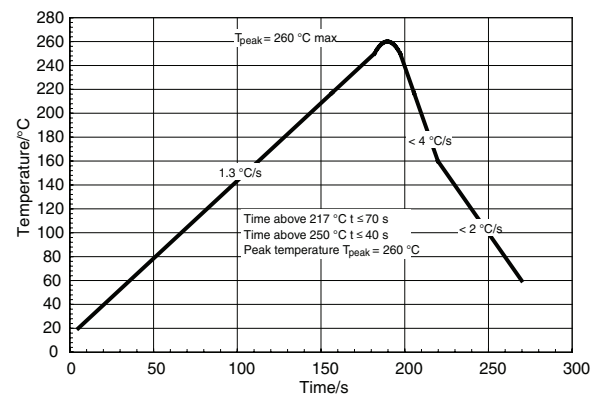
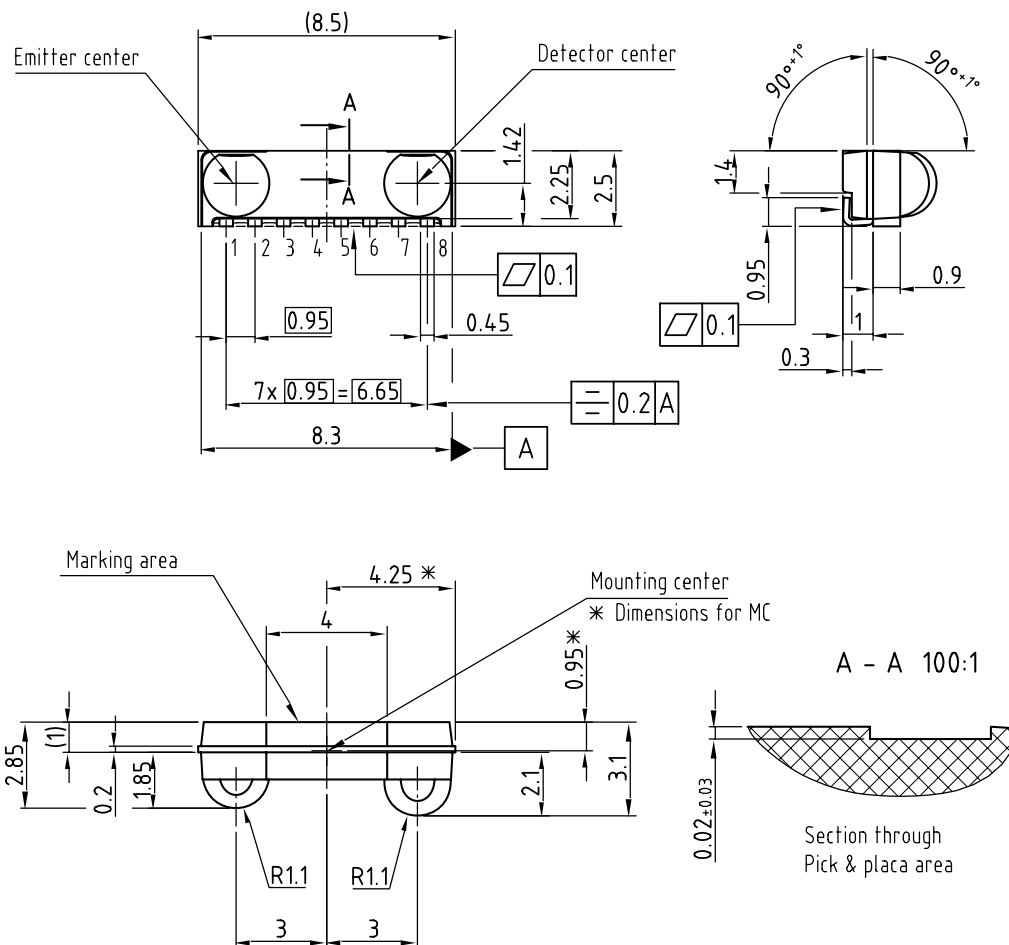


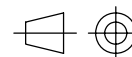
Figure 7. RTS Recommendation

Package Dimensions

TFDU6300 (Universal) Package



All dimensions in mm



technical drawings
according to DIN
specifications

19533

Drawing refers to following types: TFDU x3xx

Drawing-No.: 6.550-5252.01-4

Issue: 2; 12.10.04

Figure 8. Package Drawing

Tape and Reel Information

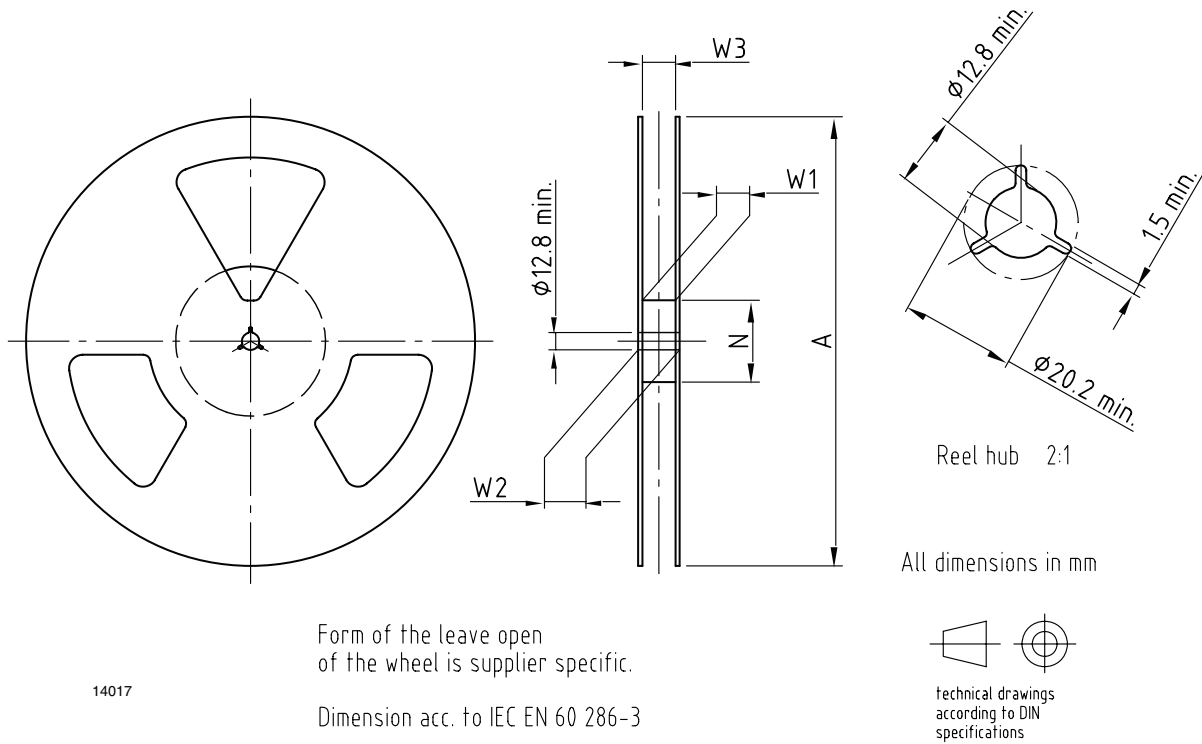
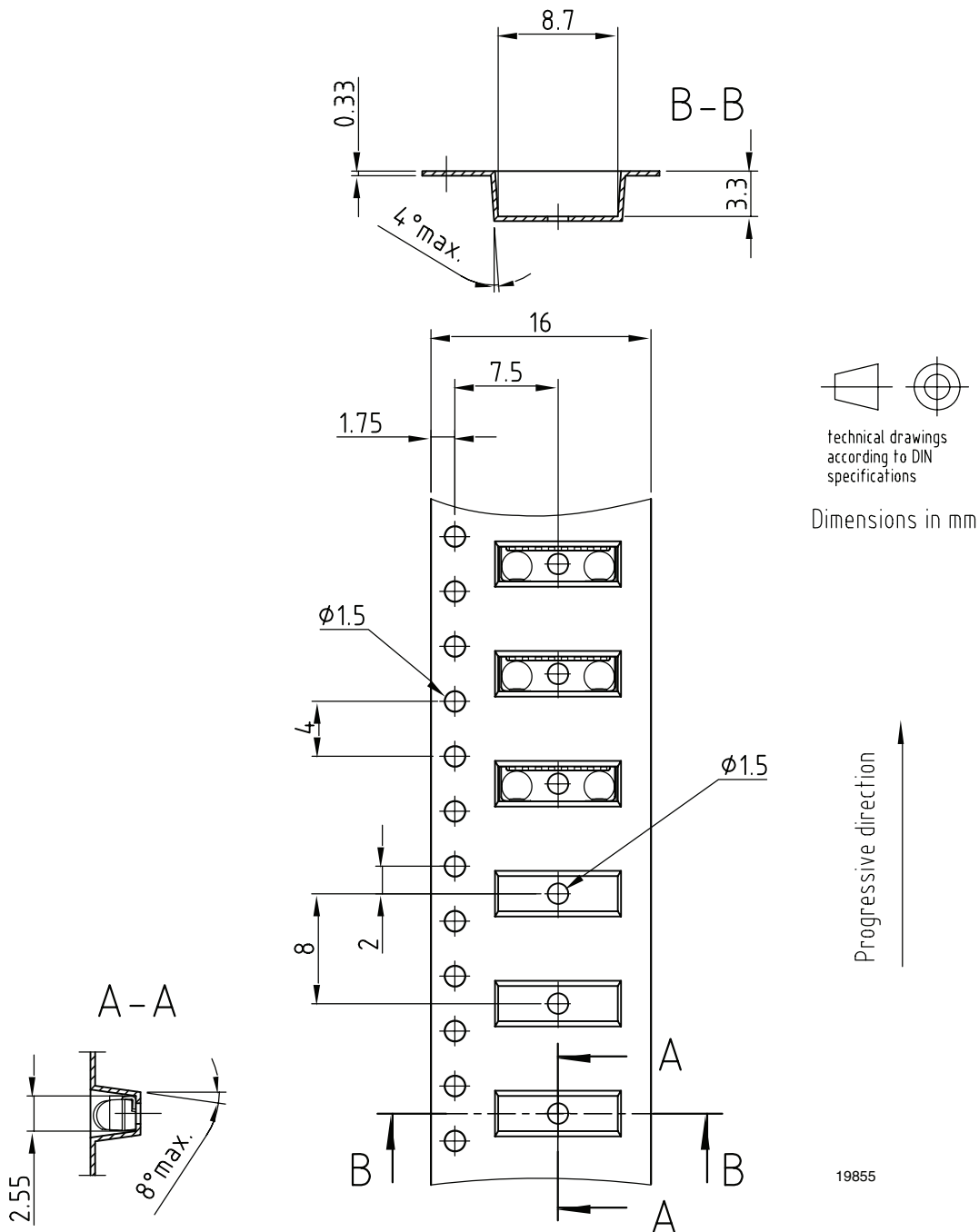


Figure 9. Reel drawing

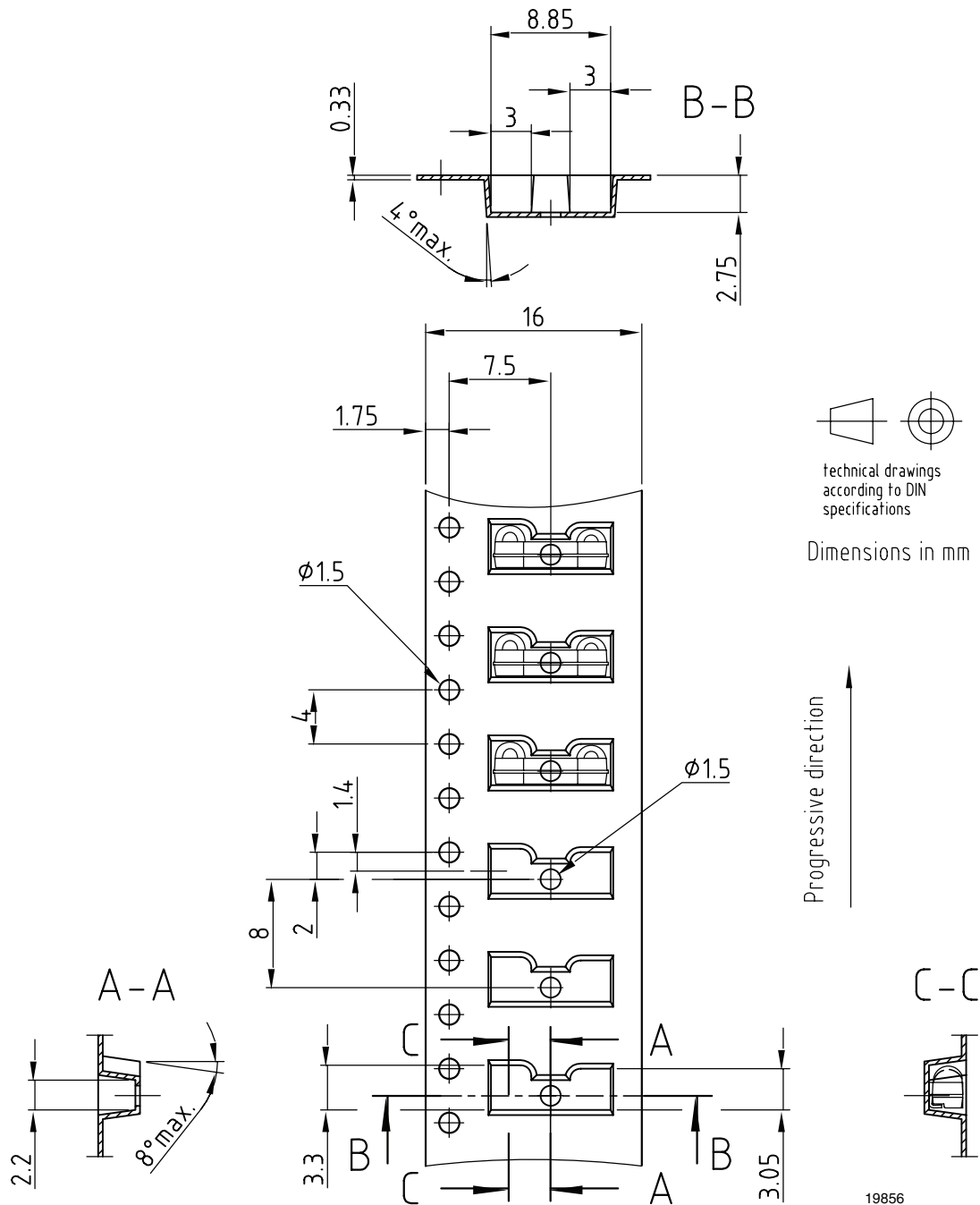
Tape Width	A max.	N	W ₁ min.	W ₂ max.	W ₃ min.	W ₃ max.
mm	mm	mm	mm	mm	mm	mm
16	180	60	16.4	22.4	15.9	19.4
16	330	50	16.4	22.4	15.9	19.4

Tape Dimensions



Drawing-No.: 9.700-5280.01-4
Issue: 1; 03.11.03

Figure 10. Tape drawing, TFDU6300 for top view mounting



Drawing-No.: 9.700-5279.01-4
 Issue: 1; 08.12.04

Figure 11. Tape drawing, TFDU6300 for side view mounting

Ozone Depleting Substances Policy Statement

It is the policy of Vishay Semiconductor GmbH to

1. Meet all present and future national and international statutory requirements.
2. Regularly and continuously improve the performance of our products, processes, distribution and operating systems with respect to their impact on the health and safety of our employees and the public, as well as their impact on the environment.

It is particular concern to control or eliminate releases of those substances into the atmosphere which are known as ozone depleting substances (ODSs).

The Montreal Protocol (1987) and its London Amendments (1990) intend to severely restrict the use of ODSs and forbid their use within the next ten years. Various national and international initiatives are pressing for an earlier ban on these substances.

Vishay Semiconductor GmbH has been able to use its policy of continuous improvements to eliminate the use of ODSs listed in the following documents.

1. Annex A, B and list of transitional substances of the Montreal Protocol and the London Amendments respectively
2. Class I and II ozone depleting substances in the Clean Air Act Amendments of 1990 by the Environmental Protection Agency (EPA) in the USA
3. Council Decision 88/540/EEC and 91/690/EEC Annex A, B and C (transitional substances) respectively.

Vishay Semiconductor GmbH can certify that our semiconductors are not manufactured with ozone depleting substances and do not contain such substances.

We reserve the right to make changes to improve technical design
and may do so without further notice.

Parameters can vary in different applications. All operating parameters must be validated for each customer application by the customer. Should the buyer use Vishay Semiconductors products for any unintended or unauthorized application, the buyer shall indemnify Vishay Semiconductors against all claims, costs, damages, and expenses, arising out of, directly or indirectly, any claim of personal damage, injury or death associated with such unintended or unauthorized use.

Vishay Semiconductor GmbH, P.O.B. 3535, D-74025 Heilbronn, Germany



Notice

Specifications of the products displayed herein are subject to change without notice. Vishay Intertechnology, Inc., or anyone on its behalf, assumes no responsibility or liability for any errors or inaccuracies.

Information contained herein is intended to provide a product description only. No license, express or implied, by estoppel or otherwise, to any intellectual property rights is granted by this document. Except as provided in Vishay's terms and conditions of sale for such products, Vishay assumes no liability whatsoever, and disclaims any express or implied warranty, relating to sale and/or use of Vishay products including liability or warranties relating to fitness for a particular purpose, merchantability, or infringement of any patent, copyright, or other intellectual property right.

The products shown herein are not designed for use in medical, life-saving, or life-sustaining applications. Customers using or selling these products for use in such applications do so at their own risk and agree to fully indemnify Vishay for any damages resulting from such improper use or sale.