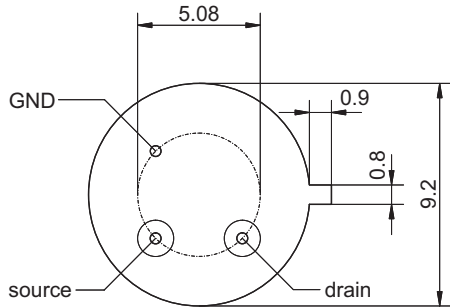
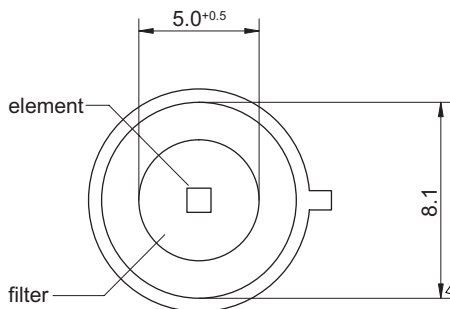
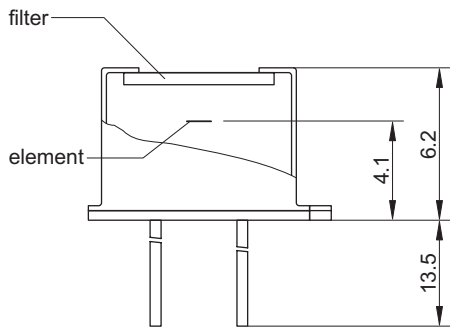


HPS A01B

Pyroelectric Single Element Detector for Measurement Applications



bottom view



element size	1 mm x 1 mm
aperture	5.0 ^{+0.5} mm
filter ³	Ge* or Si* (8-14 μm)
responsivity ^{1,2}	> 1100 V/W
noise ¹	< 500 nV/√Hz
specific detectivity ^{1,2}	> 2 · 10 ⁸ cm √Hz/W
offset voltage	0.4-1.5 V
operating voltage	2-18 V
housing	TO 39
operating temperature	-20 to 70 °C
storage temperature	-20 to 70 °C

- 1) frequency: 10 Hz, detector temperature: 25 °C
- 2) blackbody source temperature: 500 K, filter transmission: 100 %
- 3) other filters on request

