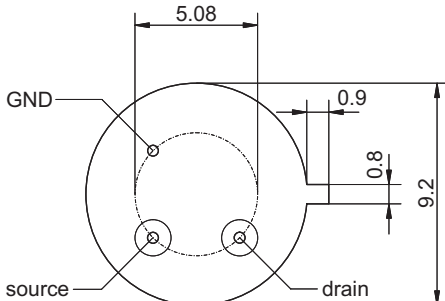


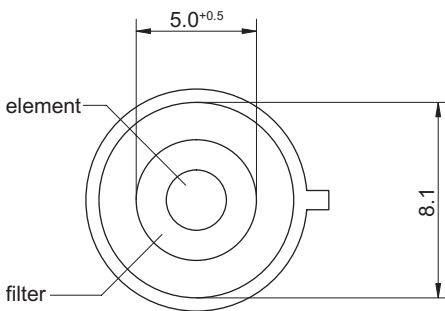
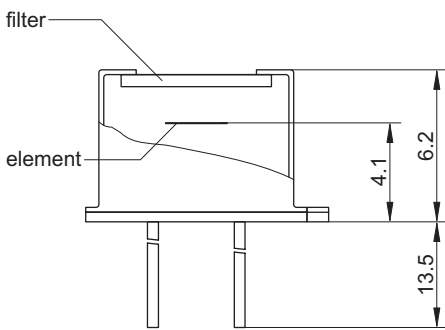


HPS A05F

Pyroelectric Single Element Detector for Measurement Applications



bottom view



element size	∅ 2.5 mm
aperture	5.0 ^{+0.5} mm
filter ³	Ge* or Si* (8-14 μm)
responsivity ^{1,2}	> 220 V/W
noise ¹	< 140 nV/√Hz
specific detectivity ^{1,2}	> 4 · 10 ⁸ cm √Hz/W
offset voltage	0.4-1.5 V
operating voltage	2-18 V
housing	TO 39
operating temperature	-20 to 70 °C
storage temperature	-20 to 70 °C

- 1) frequency: 10 Hz, detector temperature: 25 °C
 2) blackbody source temperature: 500 K, filter transmission: 100 %
 3) other filters on request

