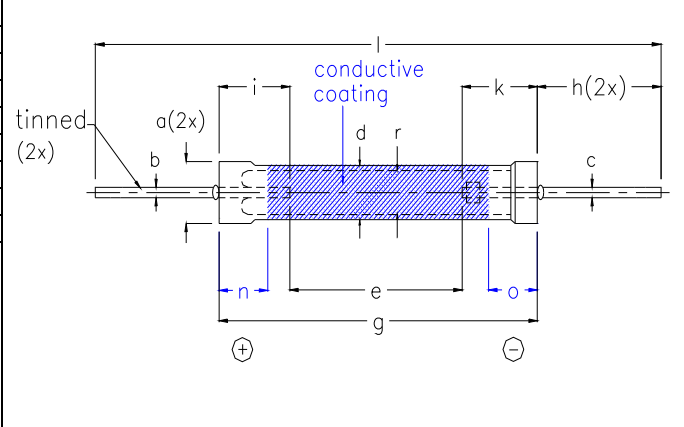


Device Name : BGAC 1015 /1500	Page # : 1 of 1
Issued Date : 09/03/2004	Rev Date :
Issued By :	Index # :

1. Mechanical Data

(All dimensions in mm and diagram is not drawn to scale)

e	15+/-0.7	b	0.8 appr	
l	24.5+/-1	c	0.7 appr	
d	2.3+/-0.1	n/o	3.5 min	
r	1.2+/-0.1	h	1.0 min	
g	21.2+/-1			
a	2.65 max			

Remarks :Bau No. : 96501076

2. Operating Data

Type of Circuit : Doubler

A) Power Circuit

Item	Specification	Remarks
Max flash energy , Emax	9.2 (Ws)	
Nom flash energy , Enom	8.7 (Ws)	Life test @ 330 V / 160 μF
Max anode voltage , Ua max	340 (V)	
Nom anode voltage , Ua nom	330 (V)	
Min anode voltage , Ua min	260 (V)	Before and after min Ua/Uz @ 1 flash per 5 sec for 20 flashes
Nom flash capacitor , CB	160 (μF)	
Max Peak Current	120 (A)	Measured @ 330 V / 160 μF
Repetition rate / Frequency	4 (sec)	
Life / Number of flashes / N	3000 (flashes)	
Light reduction , After life	< 10 (%)	Measured @ 330 V / 160 μF in Ubricht Sphere / Minolta Strobemeter II

B) Trigger Circuit (Note : Applicable for sample testing ; Production may use different components)

Item	Specification	Remarks
Trigger coil , Tr	ZS 1092	
Trigger capacitor , Cz1 + Cz2	0.01+0.022 (μF)	Type : Film
Min trigger voltage , Uzmin	260 (V)	
Trigger contact , S	THY	Type : 2N5064
Sec trigger voltage , Uzsec	+ ve (kV)	

C) Customer Reference

PerkinElmer Proprietary & Confidential

HS-DDC-H24-0004
PerkinElmer Optoelectronics
47 Ayer Rajah Crescent #06-12
Singapore- 139947
Tel: (065) 7752022 Fax : (065) 7782370.

PerkinElmer Proprietary & Confidential

HS-DDC-H24-0004
PerkinElmer Optoelectronics
47 Ayer Rajah Crescent #06-12
Singapore- 139947
Tel: (065) 7752022 Fax : (065) 7782370.