

PAS202B

VGA COLOR CMOS IMAGE SENSOR

General Description

The PAS202B is a highly integrated CMOS active-pixel image sensor that has a VGA resolution of 644H x 484V. To have an excellent image quality, the PAS202B outputs 10-bit RGB raw data through a parallel data bus. It is available in color or monochrome and in 28-pin LCC.

The PAS202B can be programmed to set the exposure time for different luminance condition via I²C™ serial control bus. By programming the internal register sets, it performs on-chip frame rate adjustment, offset correction DAC and programmable gain control.

Key Features

- VGA(644 x 484 pixels) resolution, ~1/4" Lens
- Bayer-RGB color filter array
- On-chip 10-bit pipelined A/D converter
- Output format: 10-bit parallel RGB raw data
- On-chip 9-bit background compensation DAC
- On-chip programmable gain amplifier
 - 4-bit color gain amplifier(x3)
 - 5-bit global gain amplifier (x5)
- Continuous variable frame time (1/2sec~1/30sec)
- Continuous variable exposure time
- I²C™ Interface
- Digitally programmable registers
- Single 3.3V supply voltage
- 100 mW low power dissipation
- 350 uW low power down dissipation
- Flash light timing
- Mirror readout

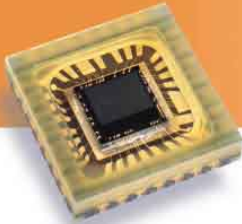
Applications

- Digital still camera
- Digital camcorder
- PC camera
- Video conferencing system
- Video cellular Phone
- PDA
- Visual toy
- Security system
- Biometrics system

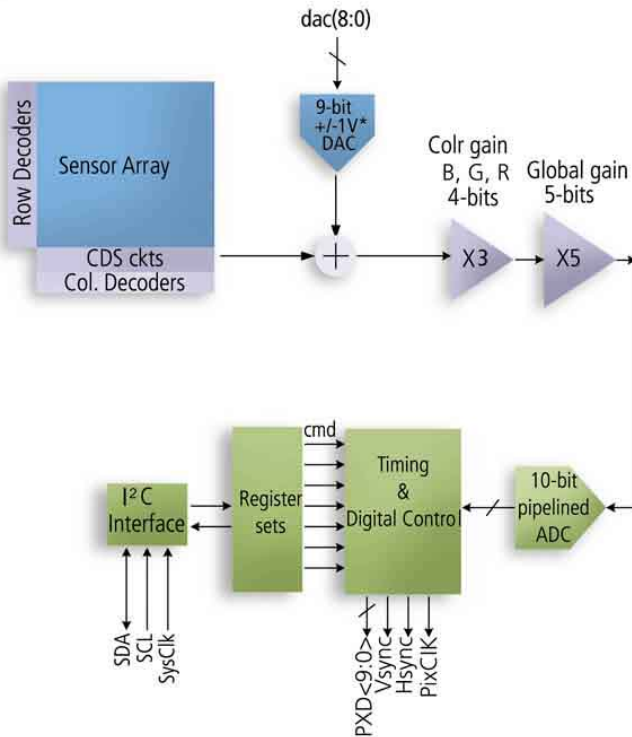
Technical Specifications

Supply Voltage	3.3V ± 10%
Array format	644(H) x 484(V)
Optical format	~1/4"
Pixel Size	5.6umX5.6um
Frame rate	~30 fps
System clock	Up to 48 MHz
Max. pixel rate	12MHz
Sensitivity	0.6V/Lux-sec(green)
PGA gain	29.5 dB max.
Color filter	RGB Bayer Pattern
Exposure Time	~ Frame time to 4 pixel CLK
Scan Mode	Progressive
S/N Ratio	>42dB
Package	28 pins or 32 pins LCC

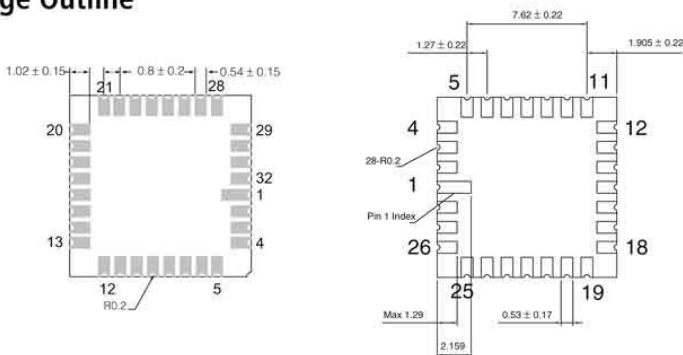
- ESD Machine Mode > 350V
- ESD Human-Body Mode > 4000V



Block Diagram



Package Outline



Ordering Information

Part No.	Description
PAS202BCB	Color sensor in 28-pin LCC package
PAS202BBB	B&W sensor in 28-pin LCC package
PAS202BCA	Color sensor in 32-pin LCC package
PAS202BBA	B&W sensor in 32-pin LCC package

POI PixArt Imaging Inc.

5th Floor, # 5, Innovation Road I, Science-Based Industrial Park, Hsin-Chu 300, Taiwan, R.O.C.
 Tel: 886-3-5795317 Fax: 886-3-5795305
 E-mail: fae_service@pixart.com.tw
 Http://www.pixart.com.tw

All rights reserved. Reproduction in whole or in part is prohibited without the prior written consent of the copyright owner. The information presented in this document does not form part of any quotation or contract, is believed to be accurate and reliable and may be changed without notice.