

RED LASER DIODE

DL-5148-030

Tentative

SANYO

Ver.2 Feb. 2006

Features

- Short wavelength : 638 nm (Typ.)
- Output power : 20 mW (CW)
- Threshold current : $I_{th} = 60$ mA (Typ.)
- Operating voltage : $V_{op} = 2.3$ V (Typ.)

Applications

Leveler
Bar-code scanner
Line marker ,

Absolute Maximum Ratings

($T_c=25^\circ\text{C}$)

Parameter		Symbol	Ratings	Unit
Light Output	CW	P_o (CW)	25	mW
Reverse Voltage	Laser	VR	2	V
	PD		30	
Operating Temperature		T_{opr}	-10 to +50	$^\circ\text{C}$
Storage Temperature		T_{stg}	-40 to +85	$^\circ\text{C}$

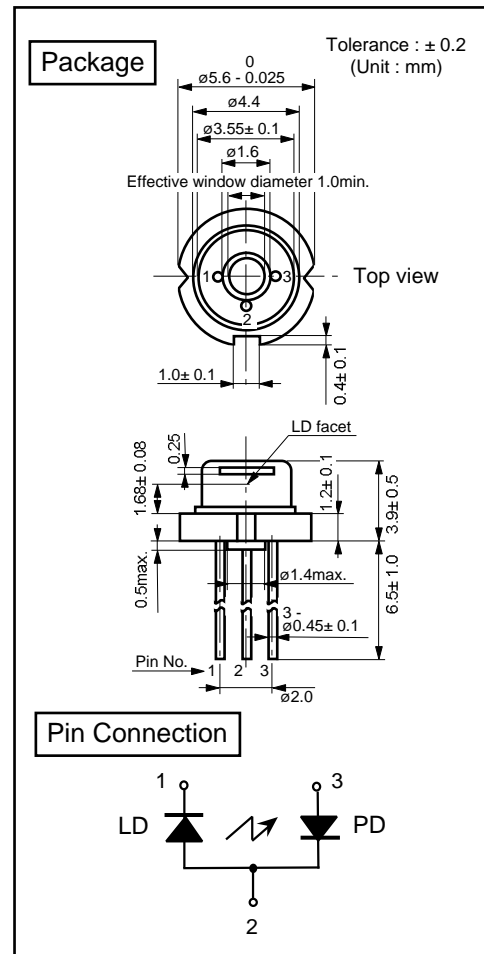
Electrical and Optical Characteristics ^{1) 2)}

($T_c=25^\circ\text{C}$)

Parameter		Symbol	Condition	Min.	Typ.	Max.	Unit
Threshold Current		I_{th}	CW	-	60	85	mA
Operating Current		I_{op}	$P_o=20\text{mW}$	-	80	105	mA
Operating Voltage		V_{op}	$P_o=20\text{mW}$	-	2.3	2.7	V
Lasing Wavelength		L_p	$P_o=20\text{mW}$	-	638	645	nm
Beam ³⁾ Divergence	Perpendicular	Q_v	$P_o=20\text{mW}$	12	16	22	$^\circ$
	Parallel	Q_h	$P_o=20\text{mW}$	6	8	12	$^\circ$
Off Axis Angle	Perpendicular	dQ_v	-	-3	-	3	$^\circ$
	Parallel	dQ_h	-	-2.5	-	2.5	$^\circ$
Differential Efficiency		SE	-	0.7	1.0	1.2	mW/mA
Monitoring Output Current		I_m	$P_o=20\text{mW}$	0.1	0.3	0.6	mA

- 1) Initial values 2) All the above values are evaluated with Tottori Sanyo's measuring apparatus
3) Full angle at half maximum

Note : The above product specification are subject to change without notice.



Distributed by IMM Meßtechnologie GmbH

Ohmstraße 4, 85716 Unterschleißheim, Tel.: +49 89 321412-0, Fax: +49 89 321412-11, www.imm-laser.de, info@imm-laser.de