

Request For Quotation

Order the parts you need from our real-time inventory database. Simply complete a request for quotation form with your part information and a sales representative will respond to you with price and availability.

[Request For Quotation](#)

Your free datasheet starts on the next page.

More datasheets and data books are available from our homepage: <http://www.datasheetarchive.com>

IrDA 115 kbps/0.8 m Compliant, Compact, Thin Front-End

Features

- Compact (Volume: 48 % smaller than the conventional models)
- Thin-type (Height: 27 % thinner than the conventional models)
- Excellent noise resistance (equipped with a shielded case)
- Low dissipation current: I_{cc} (MAX.)=130 μA

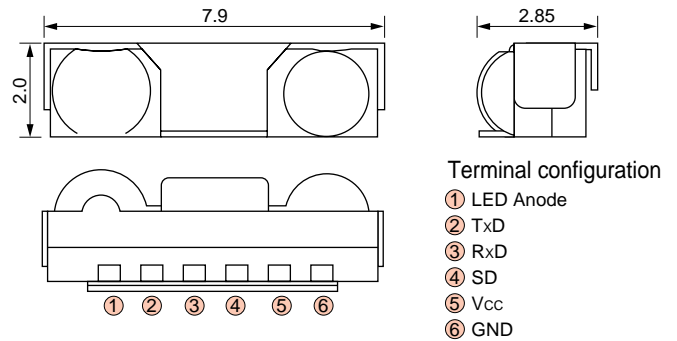
Applications

- PDA
- Handy terminal
- Cellular phone
- Handy printer
- Hand-held PC
- Portable game machine

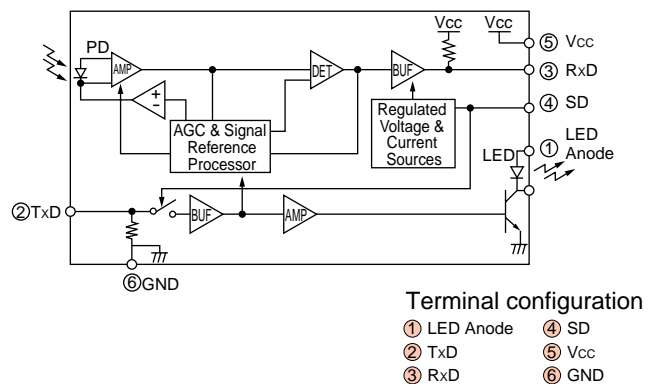
Specifications

Parameter	Symbol	Characteristics			Unit	Condition
		MIN.	TYP.	MAX.		
Operating supply voltage	V _{CC}	2.4	—	5.5	V	
Dissipation current	I _{CC}	—	110	130	μA	
SD dissipation current	I _{CC-S}	—	0.01	1.0	μA	V _{CC} =3.3 V
High-level output voltage	V _{OH1}	4.3	4.6	—	V	V _{CC} =5.0 V, I _{OH} =(500 μA)
Low-level output voltage	V _{OL1}	—	0.22	0.4	V	V _{CC} =5.0 V, I _{OH} =(500 μA)
Delay time	t ₁	—	100	200	μs	
Radiant intensity	I _E	40	—	—	mW/sr	V _{CC} =V _{LED} =5.0 V, R _L =(5.1 Ω)
Peak wavelength	λ _P	850	870	900	nm	
Operating temperature	T _{opr}	-25	—	85	°C	
Transmission distance	L	(0.8)	—	—	m	θ=±15 °
		1	—	—	m	θ=±0 °

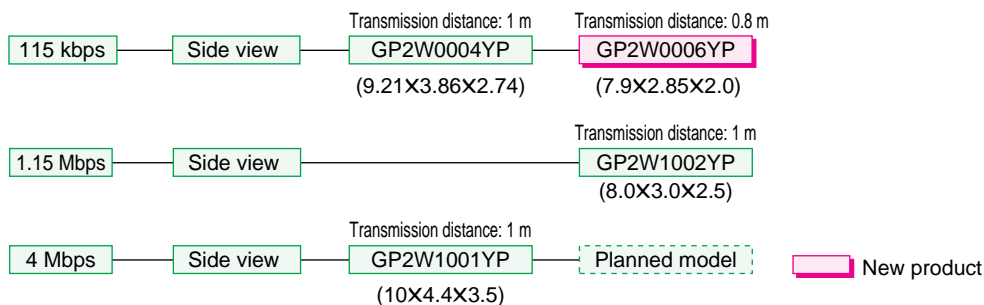
Outline Dimensions (Unit: mm)



Block Diagram



Line-up of Infrared Data Communication Device



Notice:

- In the absence of confirmation by device specification sheets, SHARP takes no responsibility for any defects that may occur in equipment using any SHARP devices shown in catalogs, data books, etc. Contact SHARP in order to obtain the latest device specification sheets before using any SHARP devices.
- Specifications are subject to change without notice for improvement.