



P11159-01AS

Small package and high resolution encoder module

The P11159-01AS is an optical encoder module that consists of a photo IC and red LED. The photo IC incorporates a 4-element photodiode and a 2-phase digital signal output circuit. When using 0.2 mm pitch slits, the P11159-01AS produces a 2-phase digital signal output matching the slit movement.

Features

- ➔ High resolution: 0.05 mm (2-phase output)
- ➔ Positioning pin for easy alignment
- ➔ Small package
- ➔ Suitable for lead-free flow soldering

Applications

- ➔ Rotary encoder
- ➔ Linear encoder

Absolute maximum ratings (Ta=25 °C)

	Parameter	Symbol	Value	Unit
Input (LED)	Forward current*1	IF max.	25	mA
	Reverse voltage	VR max.	5	V
	Power dissipation	P	100	mW
Output (photo IC)	Supply voltage	Vcc max.	-0.5 to +7	V
	Output voltage	Vo max.	-0.5 to Vcc + 0.5	V
	Output current	Io max.	4	mA
	Power dissipation*2	P	250	mW
Operating temperature		Topr	-40 to +85	°C
Storage temperature		Tstg	-40 to +90	°C
Soldering		Tsol	260 °C, 3 s Max., at least 1 mm away from case surface	

*1: Forward current decreases at a rate of 0.5 mA/°C above Ta=55 °C

*2: Power dissipation decreases at a rate of 3.1 mW/°C above Ta=25 °C

Note: The P11159-01AS is not suitable for reflow soldering.

Electrical and optical characteristics (Ta=25 °C, Vcc=5 V, unless otherwise noted)

	Parameter	Symbol	Condition	Min.	Typ.	Max.	Unit
Input (LED)	Forward voltage	VF	IF=10 mA	-	1.9	2.4	V
	Reverse current	IR	VR=5 V	-	-	10	µA
	Peak emission wavelength	λp	IF=10 mA	-	650	-	nm
Output (photo IC)	Operating supply voltage	Vcc		3.0	-	7.0	V
	Low level output voltage	VOL	IOL=1 mA	-	-	0.4	V
	High level output voltage	VOH		4.5	-	-	V
	Supply current	ICC	VOA=VOB=L	-	6.0	10	mA
Transfer characteristics	Duty ratio*3	tAH/TAP	IF=5 mA, f=10 kHz	35	50	65	%
		tBH/TBP		35	50	65	%
	Phase difference*3	θAB	IF=5 mA, f=10 kHz	60	90	120	degree
	Rise time	tr	IF=5 mA, CL=10 pF	-	0.5	2	µs
	Fall time	tf	IF=5 mA, CL=10 pF	-	0.04	0.3	µs
Maximum response frequency*3 *4		f max.	IF=5 mA	50	-	-	kHz

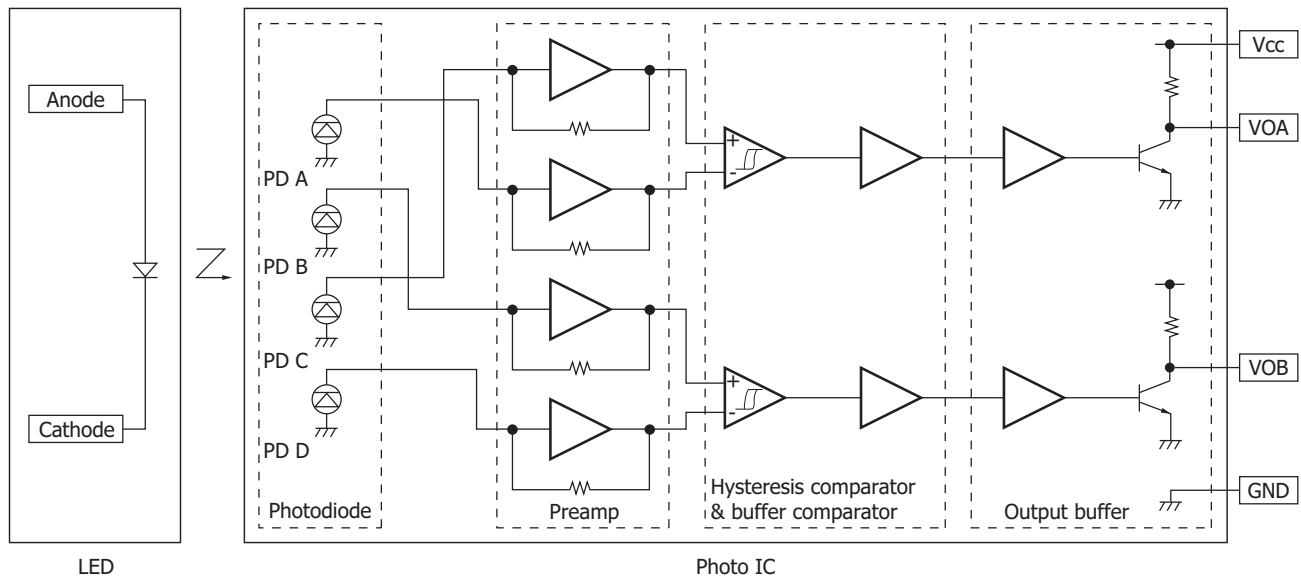
*3: Measured when recommended slits are used in specified position

Response frequency f is the reciprocal of the time required to move one pitch.

*4: Maximum frequency at which no error occurs in the output transition sequence (See operation timing diagram.)

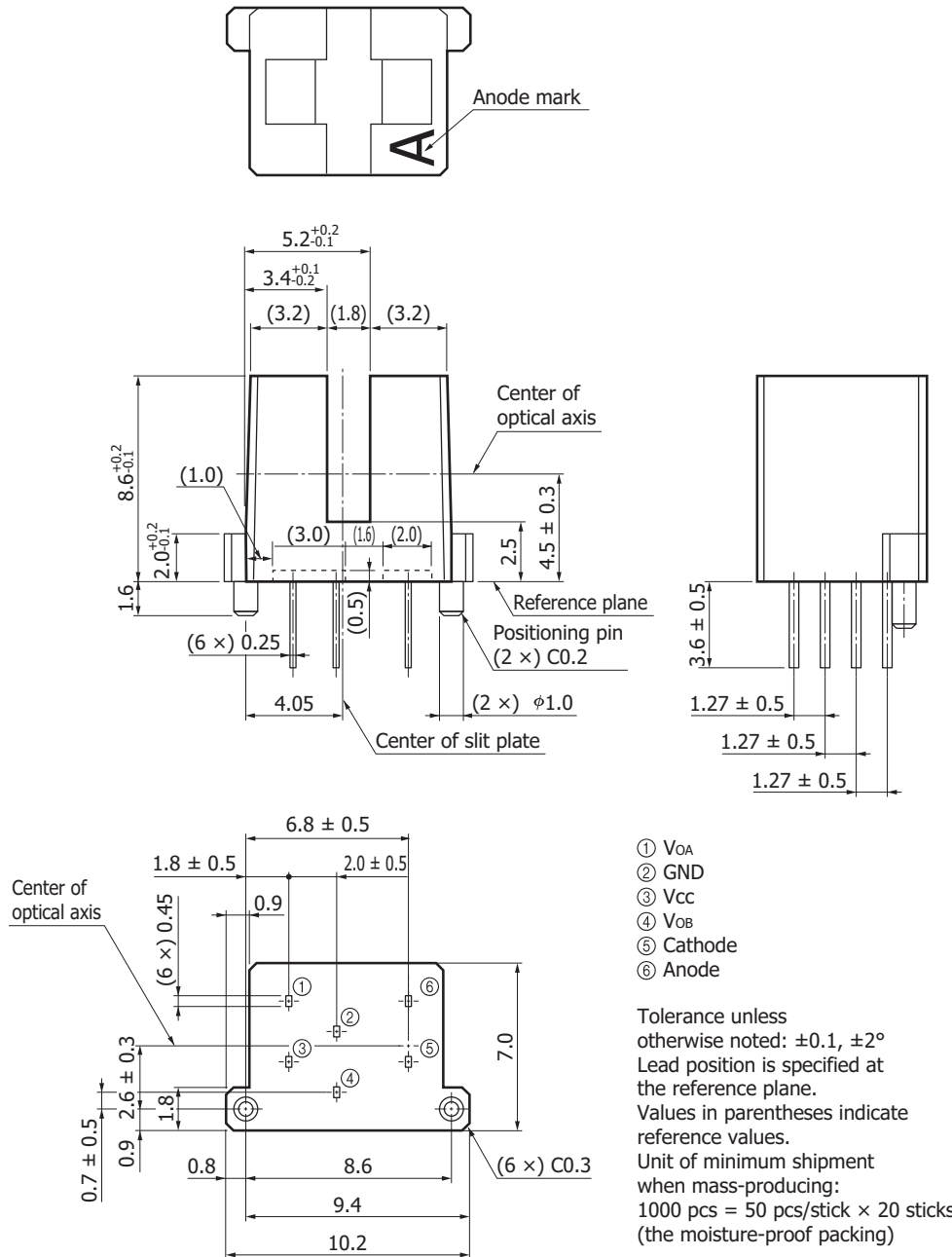
Note: Connect a capacitor of 0.1 µF or more between Vcc and GND terminal.

Block diagram



KPC0011EB

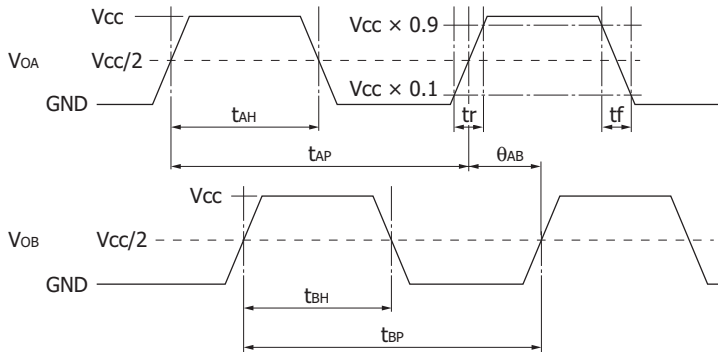
Dimensional outline (unit: mm)



KPCA0010EB

Operation timing diagram

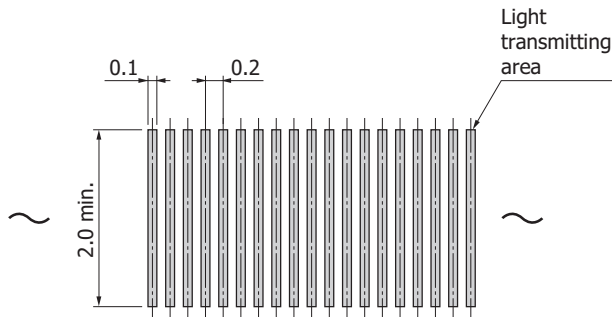
Measured when the slits move at a constant speed towards you from the inner side as viewed from the front, in the middle left drawing in "Dimensional outline".



KPC0008EA

Recommended slit dimension (unit: mm, $t=0.1$)

(For recommended position, see "Dimensional outline.")



KPC0013EA

Information furnished by HAMAMATSU is believed to be reliable. However, no responsibility is assumed for possible inaccuracies or omissions.

Specifications are subject to change without notice. No patent rights are granted to any of the circuits described herein.

Type numbers of products listed in the specification sheets or supplied as samples may have a suffix "(X)" which means tentative specifications or a suffix "(Z)" which means developmental specifications. ©2010 Hamamatsu Photonics K.K.

HAMAMATSU

www.hamamatsu.com

HAMAMATSU PHOTONICS K.K., Solid State Division

1126-1 Ichino-cho, Higashi-ku, Hamamatsu City, 435-8558 Japan, Telephone: (81) 53-434-3311, Fax: (81) 53-434-5184

U.S.A.: Hamamatsu Corporation: 360 Foothill Road, P.O.Box 6910, Bridgewater, N.J. 08807-0910, U.S.A., Telephone: (1) 908-231-0960, Fax: (1) 908-231-1218

Germany: Hamamatsu Photonics Deutschland GmbH: Arzbergerstr. 10, D-82211 Herrsching am Ammersee, Germany, Telephone: (49) 8152-375-0, Fax: (49) 8152-265-8

France: Hamamatsu Photonics France S.A.R.L.: 19, Rue du Saule Trapu, Parc du Moulin de Massy, 91882 Massy Cedex, France, Telephone: 33-(1) 69 53 71 00, Fax: 33-(1) 69 53 71 10

United Kingdom: Hamamatsu Photonics UK Limited: 2 Howard Court, 10 Tewin Road, Welwyn Garden City, Hertfordshire AL7 1BW, United Kingdom, Telephone: (44) 1707-294888, Fax: (44) 1707-325777

North Europe: Hamamatsu Photonics Norden AB: Smidesvägen 12, SE-171 41 Solna, Sweden, Telephone: (46) 8-509-031-00, Fax: (46) 8-509-031-01

Italy: Hamamatsu Photonics Italia S.R.L.: Strada della Moia, 1 int. 6, 20020 Arese, (Milano), Italy, Telephone: (39) 02-935-81-733, Fax: (39) 02-935-81-741