

## Features

- ◆ Low Cost
- ◆ Gauge Version and Absolute Version
- ◆ Constant Current or Constant Voltage Drive
- ◆ High Output
- ◆ Wide Pressure Range Available from 1psi to 60psi

## Applications

- ◆ Medical Instrumentation
- ◆ Altimeter
- ◆ Weather Forecast
- ◆ Tire Gauge
- ◆ Pressure Gauge
- ◆ Industrial Sensor
- ◆ Home Appliances

## Specification

Type of package	DIP or SMT
Pressure medium	Dry air or non-corrosive gas

	Min	Nominal	Max	Unit
Excitation Voltage		5	10	V
Excitation Current		1.00	2.00	mA
Bridge Impedance	4	5	6	k $\Omega$
Span <sup>1</sup>				
1 psi	20	30	40	mV
5.8 psi	40	70	100	mV
5.8 psi *	75	100	125	mV
15 psi	75	100	125	mV
15 psi **	130	170	210	mV
30 psi	70	100	130	mV
60 psi	140	190	240	mV
Offset	-30	0	30	mV
TC Span <sup>2</sup> (Constant Voltage)	-0.17	-0.22	-0.27	%FS/°C
TC Span <sup>2</sup> (Constant Current)	-0.05	±0.02	+0.05	%FS/°C
TC Offset <sup>2</sup>	-0.08	-0.02	+0.08	%FS/°C
Linearity <sup>3</sup>	-0.3	±0.1	+0.3	%FS
Hysteresis	-0.3	±0.1	+0.3	%FS
Proof Pressure			2X	Rated FS
Burst Pressure			3X	Rated FS
Operating Temperature	-40		125	°C
Storage Temperature	-55		150	°C

<sup>1</sup> Unless otherwise specified, span is measured at 5.0V Constant Voltage supply at 25°C.

<sup>2</sup> Unless otherwise specified, temperature coefficients are measured from 0°C to 50°C @ 5V Constant voltage excitation.

<sup>3</sup> Defined as best straight line.

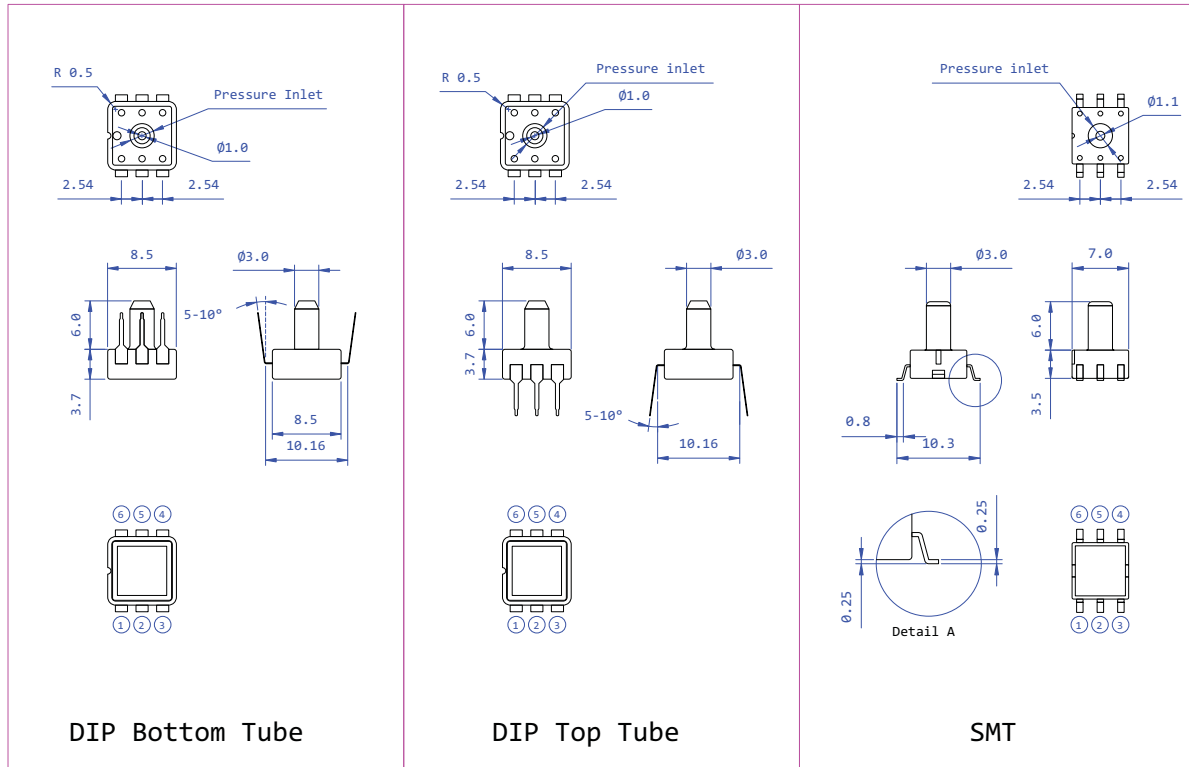
\* 5.8 psi high sensitivity type

\*\* 15 psi high sensitivity type, linearity characterized at 700mbar and 1100mbar

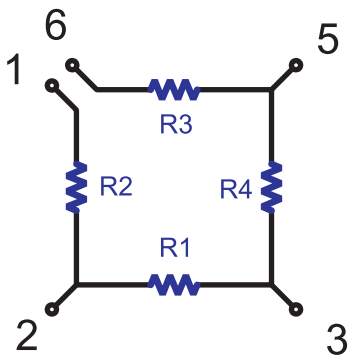
**TTP501**  
Silicon Pressure Sensor

**Pads Layout and Definition**

Tube type



Unit: mm

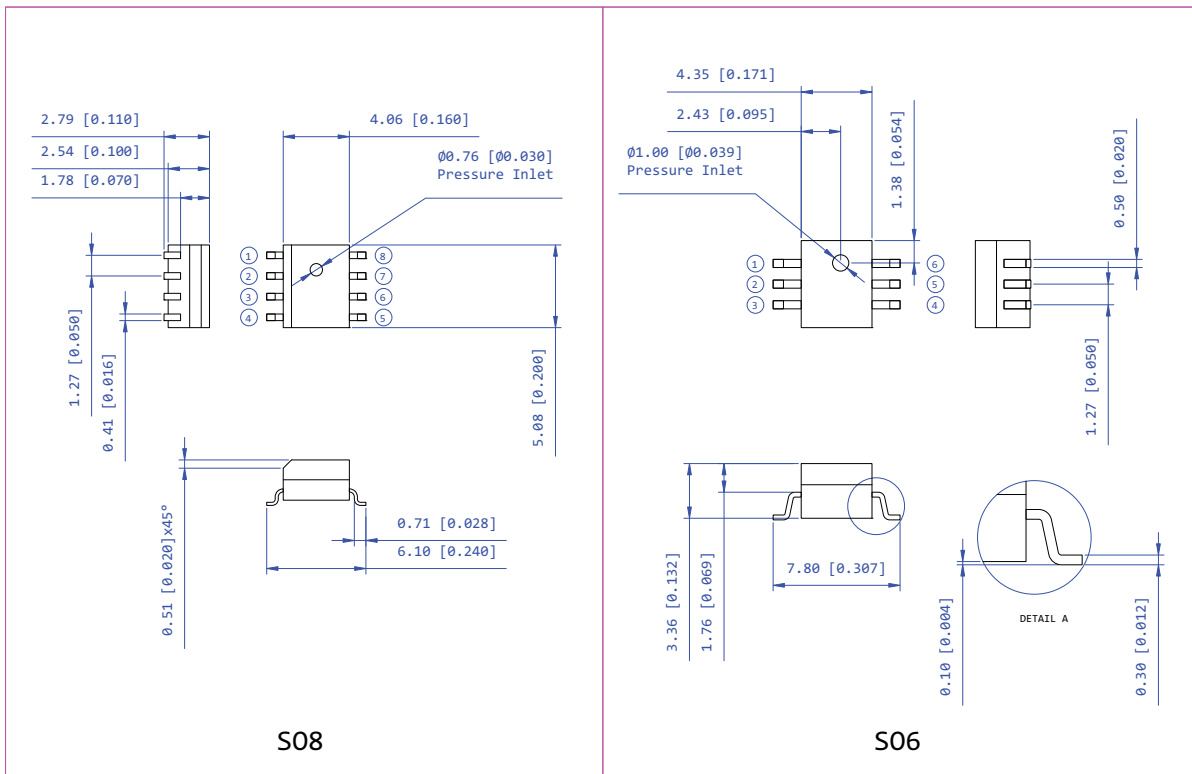


Pin	Definition
1	Gnd
2	S+
3	Ext
4	N/C
5	S-
6	Gnd

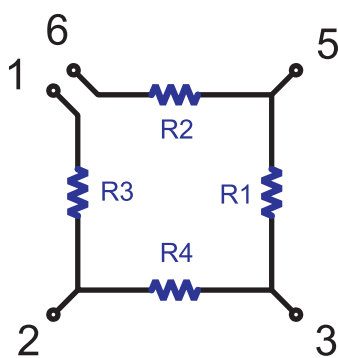


# TTP501 Silicon Pressure Sensor

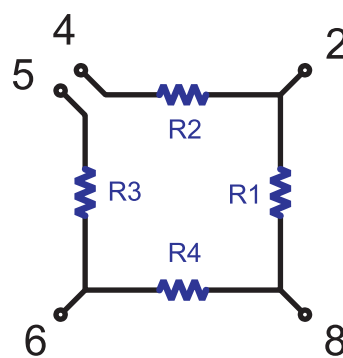
## Hole type



Unit: mm[in]

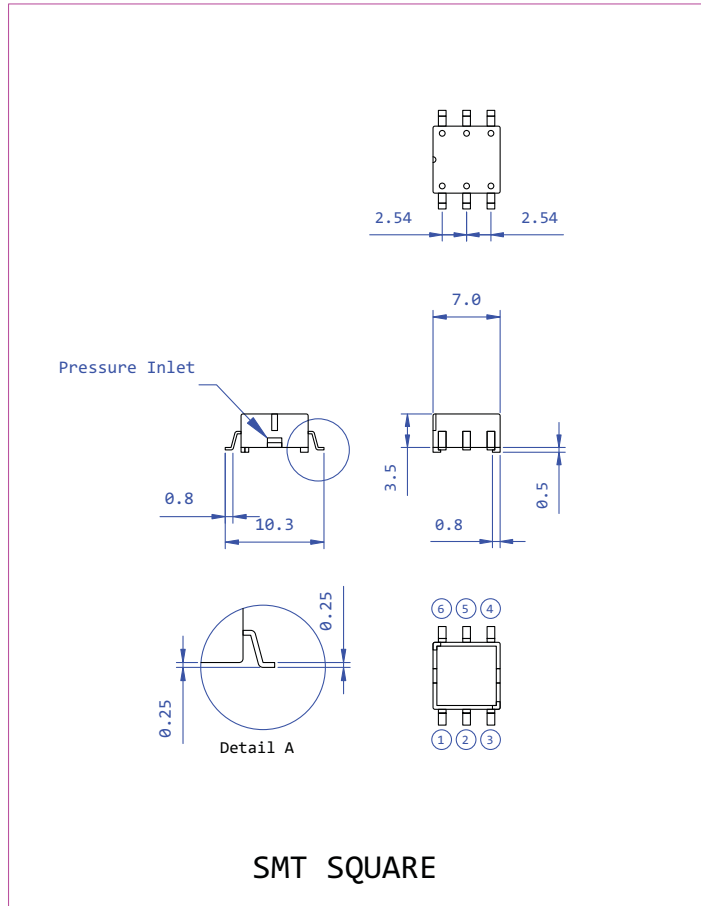


S06	Pin	S08
Gnd	1	N/C
S-	2	S+
Ext	3	N/C
N/C	4	Gnd
S+	5	Gnd
Gnd	6	S-
	7	N/C
	8	Ext

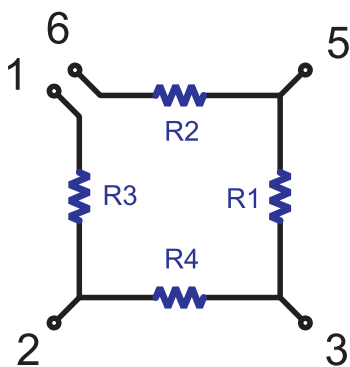


**TTP501**  
Silicon Pressure Sensor

Hole type



Unit: mm



Pin	Definition
1	Gnd
2	S-
3	Ext
4	N/C
5	S+
6	Gnd

**Ordering Information**



# TTP501 Silicon Pressure Sensor

TTP – 501 - □□□ - □

