

■ **Features**

- a. Low Dark Current
- b. High Reverse Voltage
- c. High Responsivity
- d. Fast Response Time

■ **Applications**

- a. Fiber Channel
- b. Data/Image Transmission
- c. Fiber Optical Sensor



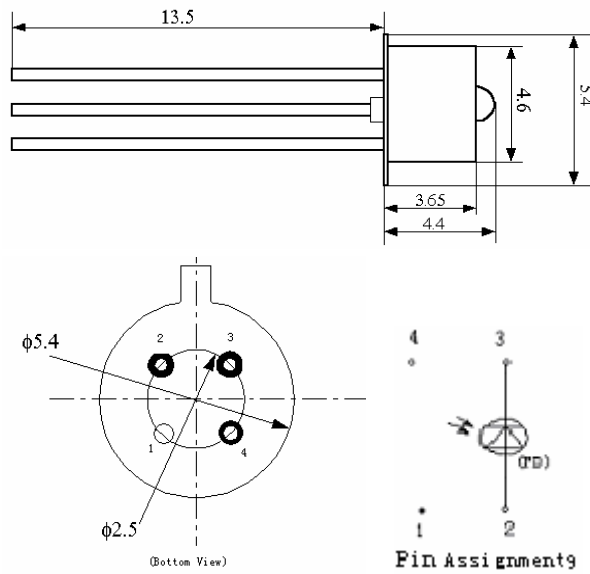
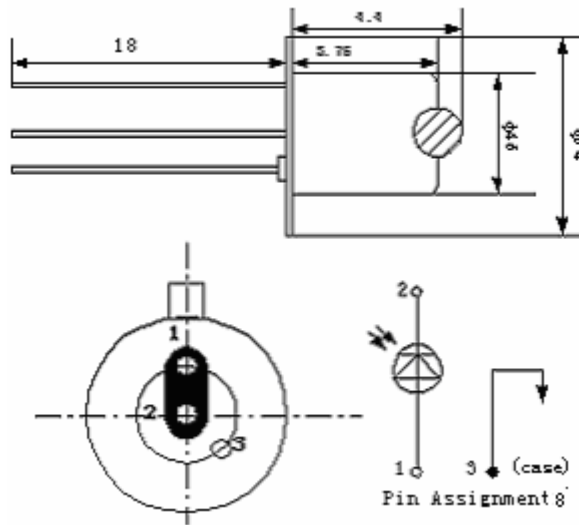
■ **Absolute Maximum Ratings**

Parameter	Symbol	Min.	Max.	Unit
Reverse Voltage	V_r	-	30	V
Operating Temperature	T_{op}	0	85	°C
Storage Temperature	T_{stg}	-40	100	°C

■ **Optical and Electrical Characteristics (T=25 °C)**

Parameter	Symbol	Min.	Typ.	Max.	Unit	Test Condition
Wavelength Range	λ_c	1100	-	1600	nm	-
Bandwidth	B	2.5	-	-	GHz	$V_r=2V, R_l=50\Omega$
		1.8				
Responsivity	R	0.8	0.85	-	A/W	$\lambda=1310nm$
		0.85	0.9			$\lambda=1550nm$
Saturation Power	P	4	-	-	mW	-
Dark Current	I_d	-	0.1	1	nA	$V_r=5V$
Breakdown Voltage	V_{bd}	20	-	-	V	1 μ A
Capacitance	C_t	-	0.7	1.3	pF	$V_r=5V, f=1MHz$
Response Time	t_r	-	-	0.15	ns	$\lambda=1310 nm, R_l=50\Omega$

■ **Pin Assignment and Dimension (mm)**



■ **Ordering Information**

Part No.	Bandwidth	Pin Assignment
ATO-05001	2.5Gbps	9
ATO-05002	1.8Gbps	9
ATO-05003	/	9