

Jog Ball

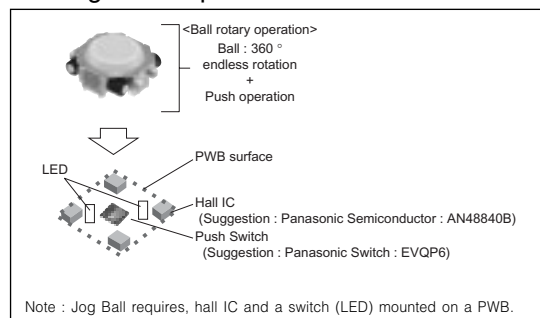
Type: **EVQWJN**



■ Features

- External dimensions : 10.7 mm×9.3 mm, Height: 6.0 mm,
Ball diameter : ϕ 5.5 mm
- Long life : 1 million operations (each direction)
Magnetic detection method.
(Non-contact type)
- High resolution : 11 pulses/360°
- The ball rotation and push operation provide superior operability
- Light transmitting type (LED mounted on a PWB)

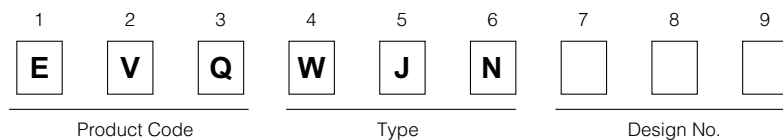
■ Usage Example



■ Recommended Applications

- Menu selection and confirmation operations of portable electronic equipment (Mobile phones, Digital cameras, Portable audio players, PDAs, and HPCs), car navigation systems, remote controllers, etc.

■ Explanation of Part Numbers

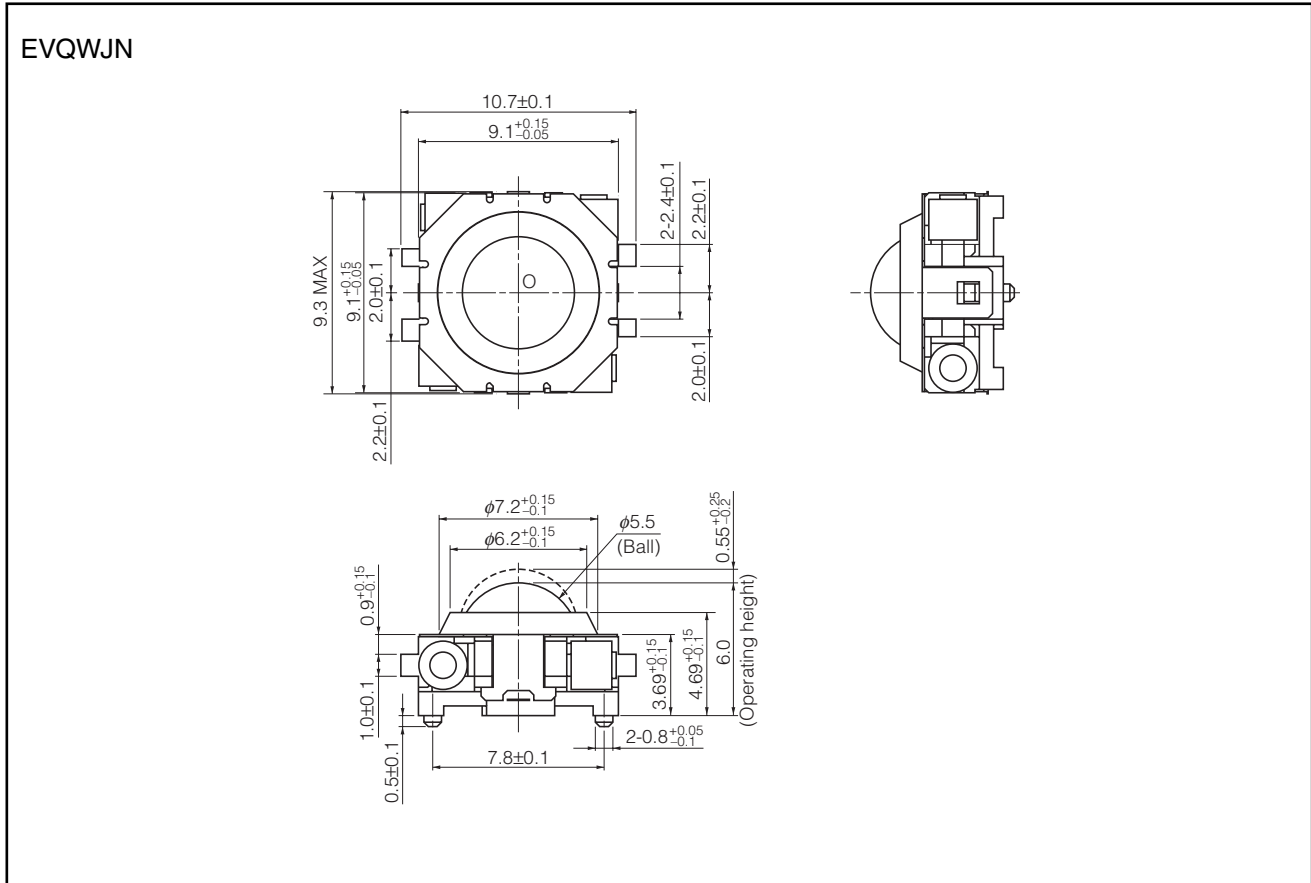


■ Specifications

Electrical	Rating	
		<ul style="list-style-type: none"> · 20 mA 15 Vdc (Use of EVQP6 Type) · 3 Vdc (Use of AN48840B Type)
Mechanical	Operating Force	Push 1.0 N, 1.3 N, 1.6 N (Use of EVQP6 Type)
	Resolution	Rotate 11 pulses/ 360°
	Travel	Push 0.9 mm
Endurance	Operating life	Rotate 1000000 cycles min.
		Push 1000000 cycles min. (Use of EVQP6 Type)
Temperature Range		-20 °C to +70 °C
Minimum Quantity/Packing Unit		200 pcs. (Tray Pack)
Quantity / Carton		1000 pcs.

Design and specifications are each subject to change without notice. Ask factory for the current technical specifications before purchase and/or use. Should a safety concern arise regarding this product, please be sure to contact us immediately.

■ Dimensions in mm (not to scale)



■ Usage Example

