

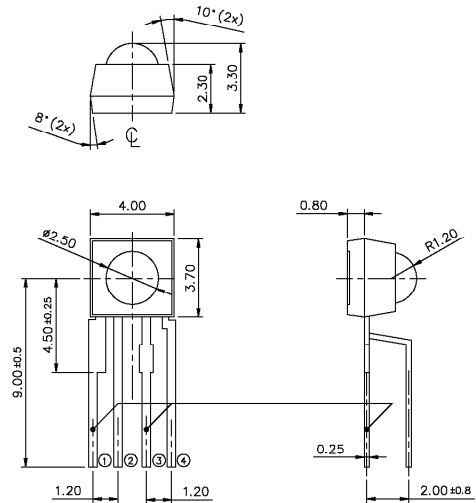
Features:

- 1. Photo detectors integrated in IC circuit
- 2. Four photo detectors and two latch outputs

Applications:

- 1. Mouse
- 2. Knob

Outside Dimension : Unit (mm)



- Notes
- 1) All dimensions are in millimeters.
 - 2) Tolerance is ±0.25mm unless otherwise note.
 - 3) Protuded resin under flange 0.5 mm Max.
 - 4) Lead spacing measured where the leads emerge from the package.
- Pin 1: Output B
Pin 2: Ground
Pin 3: Vcc
Pin 4: Output A

Absolute Maximum Ratings

(Ta=25°C, unless otherwise specified)

| Characteristics | Symbol | Rating | Unit |
|-----------------------|--------|-----------------|------|
| Supply voltage | Vcc | -0.2 ~ 7 | V |
| Other voltage | | -0.3 ~ Vcc +0.3 | V |
| Operating temperature | Topr | -20 ~ +75 | °C |
| Storage temperature | Tstr | -20 ~ +80 | °C |

Optical-electrical characteristics :

(Ta=25°C, unless otherwise specified)

| Parameter | Test Conditions | Symbol | Min. | Typ. | Max. | Unit |
|----------------|----------------------------|--------|------|------|------|------|
| Supply voltage | | Vcc | 2.0 | 5 | 5.5 | V |
| Supply current | Vcc=5.5V all output low | Icc | | 0.1 | 3 | µA |
| Output current | Vcc=5V, Voh=4.5V | Ioh | | | -450 | µA |
| | Vcc=5V, Vol=0.5V | Iol | 2.5 | | | mA |

Timing chart :

