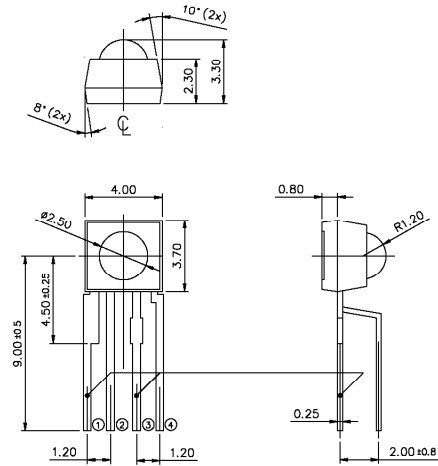


Applications:

- 1. Mouse
- 2. Knob

Outside Dimension : Unit (mm)



Notes
 1) All dimensions are in millimeters.
 2) Tolerance is ± 0.25 mm unless otherwise note.
 3) Protuded resin under flange 0.5 mm Max.
 Lead spacing measured where the leads emerge from the package.

Pin 1: NC
 Pin 2: Cathode
 Pin 3: NC
 Pin 4: Anode

Electro-optical Characteristics

($T_a=25^\circ\text{C}$, unless otherwise specified)

Parameter	Symbol	Condition	Min.	Typ.	Max.	Unit
Forward voltage	V_f	$I_f = 20\text{mA}$		1.25	1.45	V
		$I_f = 100\text{mA}$		1.50		
Reverse voltage	V_r	$I_r = 10 \mu\text{A}$	5			V
Radiated output power	P_u	$I_f = 20\text{mA}$	0.40			Mw
Spectrum width of half value	$\Delta \lambda$	$I_f = 20\text{mA}$		50		nm
Wavelength	λ_p	$I_f = 20\text{mA}$		940		nm