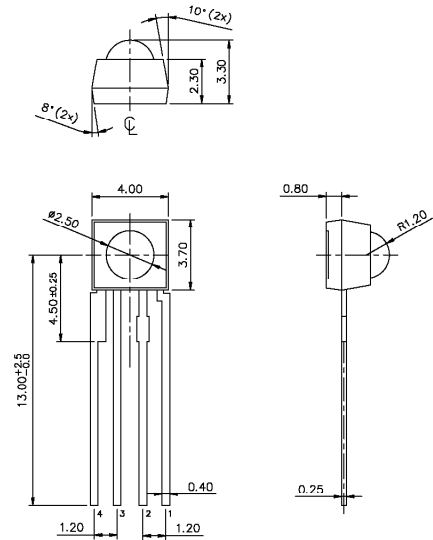


**Applications:**

- 1. Mouse
- 2. Knob

**Outside Dimension : Unit (mm)**



- Notes
- 1) All dimensions are in millimeters.
  - 2) Tolerance is  $\pm 0.25$ mm unless otherwise note.
  - 3) Protuded resin under fange 0.5 mm Max.
  - 4) Lead spacing measured where the leads emerge from the package.

- Pin 1: NC
- Pin 2: Cathode
- Pin 3: NC
- Pin 4: Anode

**Electro-optical Characteristics**

( $T_a=25^\circ\text{C}$ , unless otherwise specified)

Parameter	Symbol	Condition	Min.	Typ.	Max.	Unit
<b>Forward voltage</b>	$V_f$	$I_f = 20\text{mA}$		<b>1.25</b>	<b>1.45</b>	<b>V</b>
		$I_f = 100\text{mA}$		<b>1.50</b>		
<b>Reverse voltage</b>	$V_r$	$I_r = 10 \mu\text{A}$	<b>5</b>			<b>V</b>
<b>Radiated output power</b>	$P_u$	$I_f = 20\text{mA}$	<b>0.40</b>			<b>Mw</b>
<b>Spectrum width of half value</b>	$\Delta \lambda$	$I_f = 20\text{mA}$		<b>50</b>		<b>nm</b>
<b>Wavelength</b>	$\lambda_p$	$I_f = 20\text{mA}$		<b>940</b>		<b>nm</b>