

## Description

The MIM-5xx5H8 is miniaturized infrared receivers for remote control and other applications requiring improved ambient light rejection. The separate PIN diode and preamplifier IC are assembled on a single leadframe. The epoxy package contains a special IR filter. This module has excellent performance even in disturbed ambient light applications and provides protection against uncontrolled output pulses.



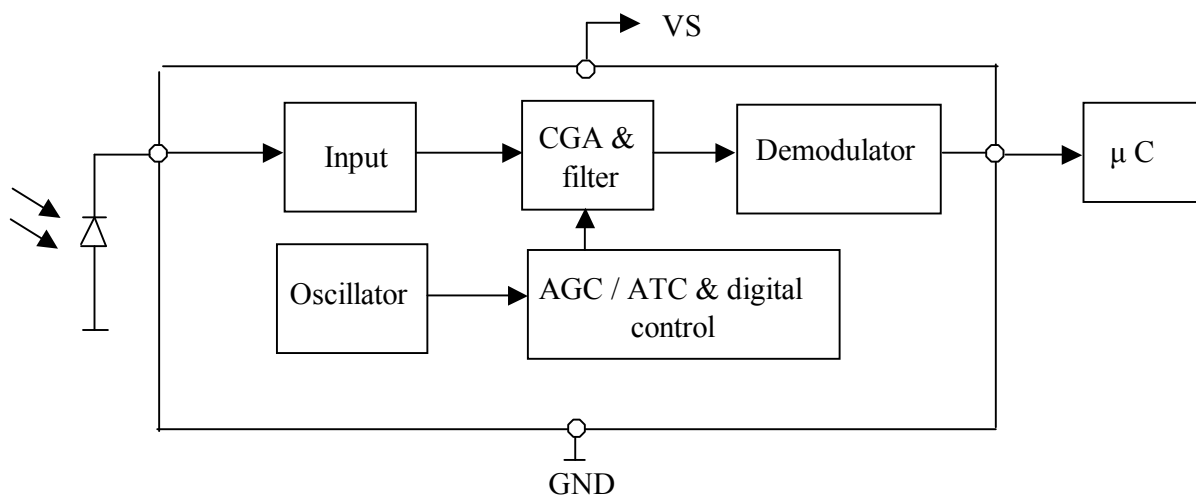
## Features

- Photo detector and preamplifier in one package
- Internal filter for PCM frequency
- High immunity against ambient light
- Improved shielding against electric field disturbance
- 5.0-Volt supply voltage; low power consumption
- TTL and CMOS compatibility

## MIM-5xx5H8 Series Models

- MIM-5335H8 33.0KHz
- MIM-5365H8 36.0KHz
- MIM-5375H8 36.7KHz
- MIM-5385H8 38.0KHz
- MIM-5565H8 56.7KHz

## BLOCK DIAGRAM



## Absolute Maximum Ratings

@ Ta=25°C

Item	Symbol	Ratings	Unit	Remark
Supply voltage	V <sub>s</sub>	-0.3 ~ 5.5	V	
Supply Current	I <sub>s</sub>	2.5	mA	
Operating temperature	T <sub>opr</sub>	-25 ~ + 85	°C	
Storage temperature	T <sub>stg</sub>	-25 ~ + 85	°C	
Soldering temperature	T <sub>sd</sub>	260	°C	t ≤ 5 s, 1mm from case
Junction Temperature	T <sub>j</sub>	100	°C	

## Electro-optical characteristics (V<sub>cc</sub>=5.0V)

(T<sub>a</sub>=25°C)

Parameter	Symbol	Min.	Typ.	Max.	Unit	Remarks
Supply Voltage	V <sub>s</sub>	4.5	5.0	5.5	V	
Current consumption	I <sub>cc</sub>		1.6	2.0	mA	Under no signal
Response wavelength	λ <sub>p</sub>		940		nm	
Output form	----- active low output -----					
H level output voltage	V <sub>0h</sub>	4.2			V	
L level output voltage	V <sub>0l</sub>			0.5	V	
H level output pulse width	T <sub>wh</sub>	400		800	μs	
L level output pulse width	T <sub>wl</sub>	400		800	μs	
Distance between emitter & detector	L	10.0			m	NOTE 1
Half angle	Δθ		±45		deg	Horizontal direction

## Test Method

### A. Standard Transmitter

ON/OFF pulse width satisfied from 25 cm to detection limit

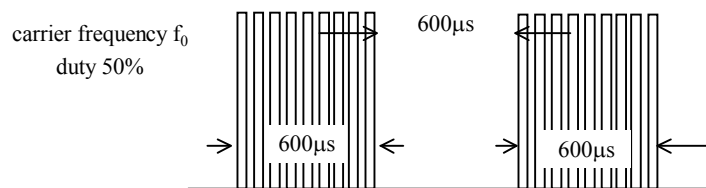


Fig 1. Burst Wave

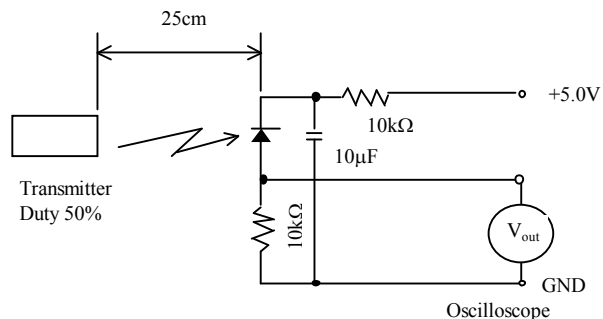
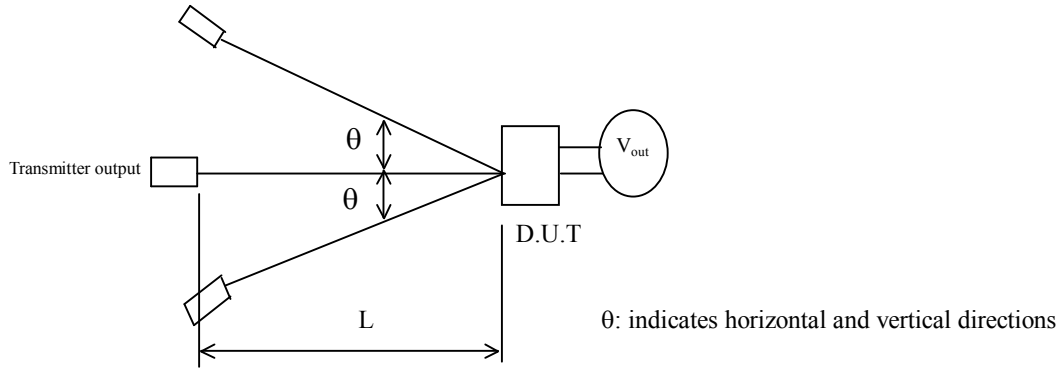
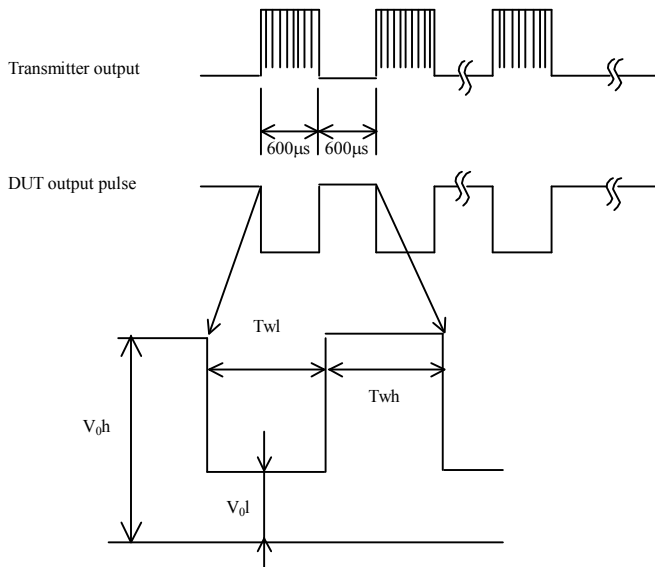


Fig 2. Standard Transmitter Measurement circuit

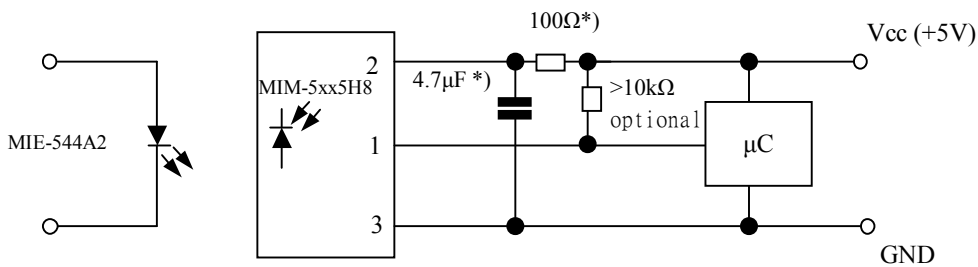
**B. Detection Length Test**



**C . Pulse Width Test**

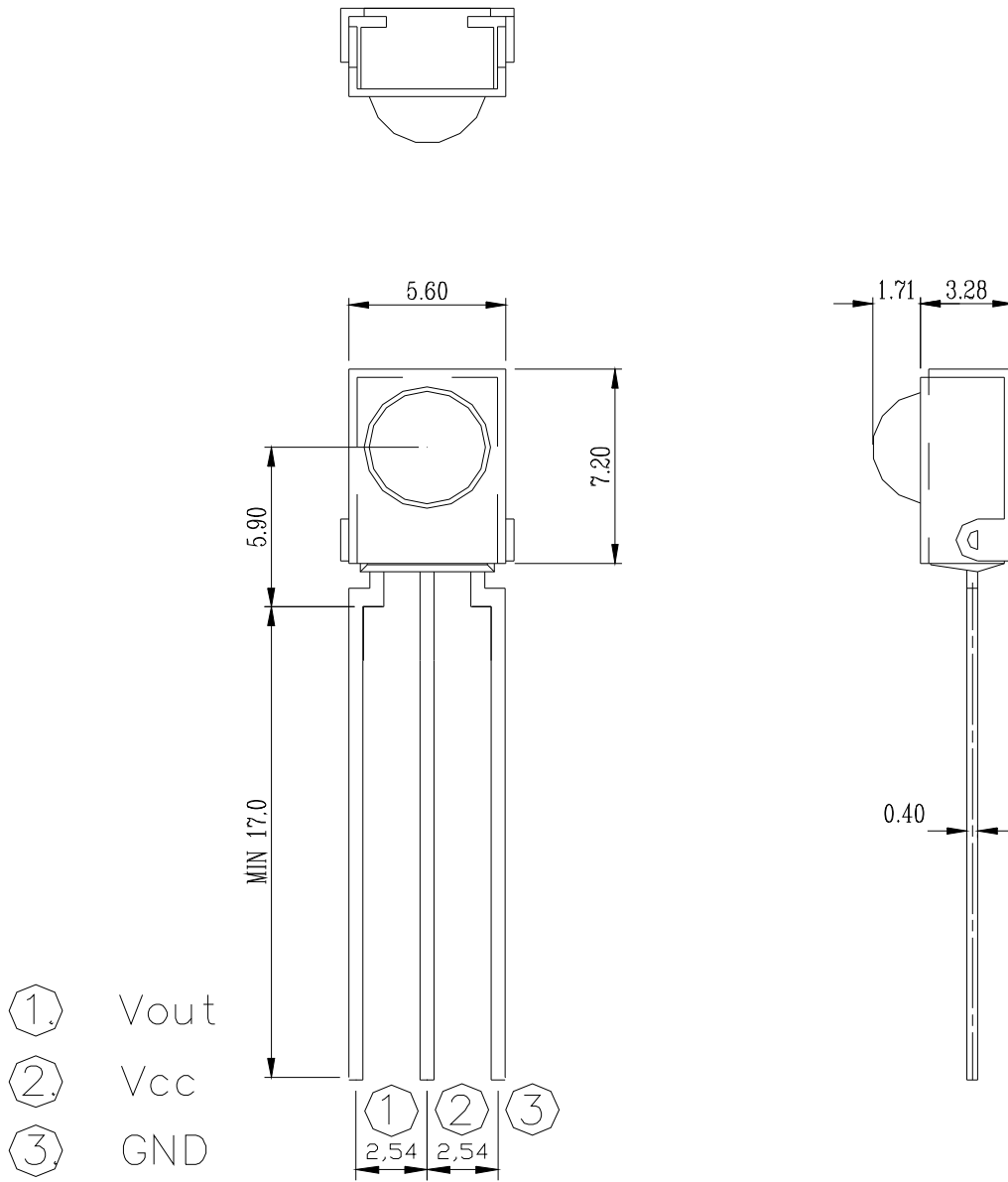


**Application Circuit**



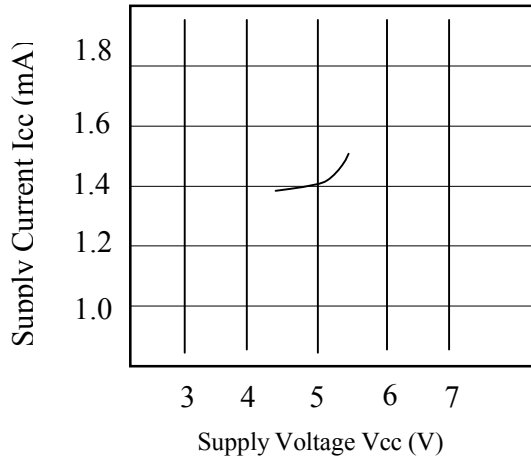
\*) recommended to suppress power supply disturbances

**Dimensions in mm**

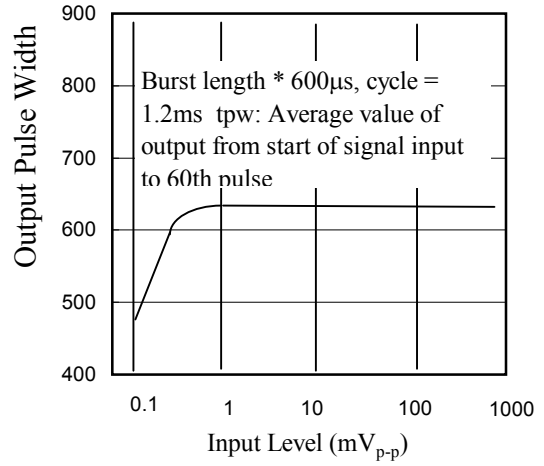


Ps TOLERANCE : ±0.30 UNLESS OTHERWISE SPECIFIED

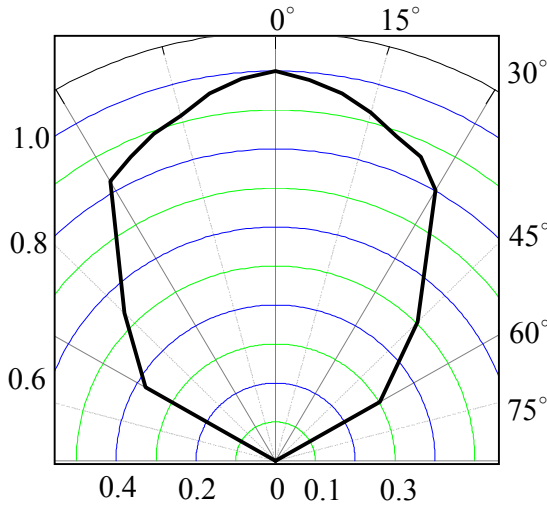
**CHARACTERISTIC CURVES ( $T_A=25^{\circ}C$ )**



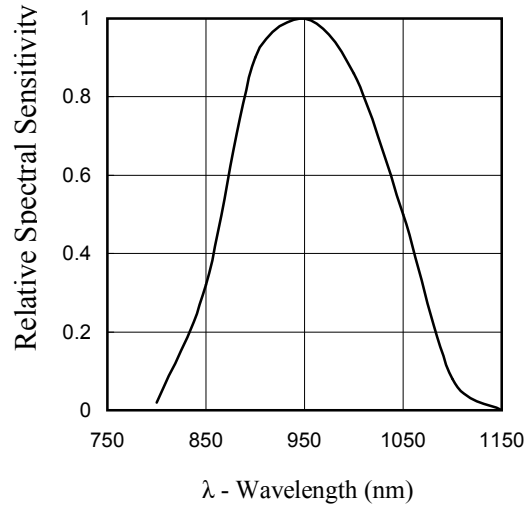
SUPPLY VOLTAGE vs. SUPPLY CURRENT



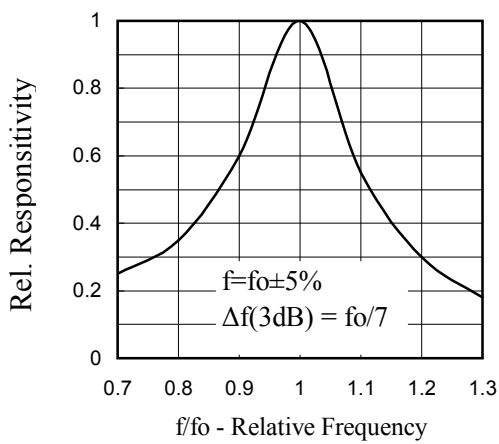
INPUT LEVEL vs. OUTPUT PULSE WIDTH



RELATIVE TRANSMISSION



RELATIVE SPECTRAL SENSITIVITY vs WAVELENGTH



FREQUENCY DEPENDENCE OF RESPONSIVITY

## Reliability

Test item	Test condition	Standard
High temperature	Ta=+80°C t=240H	Note 2.
High temp. & high humi.	Ta=+40°C 90%RH t=240H	Note 2.
Low temperature	Ta= -10°C Vcc=5.0V t=240H	Note 2.
Heat cycle	-30°C(0.5H) ~ +80°C(0.5H) 20cycle	Note 2.
Dropping	Test devices shall be dropped 3 times naturally onto hard wooden board from a 75cm height position.	Note 3.

NOTE 1. Distance between emitter & detector specifies maximum distance that output wave form satisfies the standard under the conditions below against the standard transmitter.

- (1) Measuring place ..... Indoor without extreme reflection of light.
- (2) Ambient light source... Detecting surface illumination shall be 200±50Lux under ordinary hite fluorescense lamp of no high frequency lighting.
- (3) Standard transmitter ... Burst wave indicated in Fig 1. of standard transmitter shall be arranged to 50mVp-p under the measuring circuit specified in Fig 2.

NOTE 2. (electro-optical characteristics) shall be satisfied after leaving 2 hours in the normal temperature .

NOTE 3. (electro-optical characteristics) shall be satisfied and no conoid deforms and destructions of appearance .(excepting deforms of terminals)

## Inspection standard

1. Among electrical characteristics , total number shall be inspected on items blow.
  - 1-1 front distance between emitter & detector
  - 1-2 Current consumption
  - 1-3 H level output voltage
  - 1-4 L level output voltage
2. Items except above mentioned are not inspected particularly , but shall fully satisfy

## CAUTION ( When use and storage of this device )

1. Store and use where there is no force causing transformation or change in quality .
2. Store and use where there is no corrosive gas or sea(salt) breeze .
3. Store and use where there is no extreme humidity .
4. Solder the lead-pin within the condition of ratings. After soldering do not add extra force .
5. Do not wash this device . Wipe the stains of diode side with a soft cloth. You can use the solvent , ethylalcohol or methylalcohol or isopropylene only .
6. To prevent static electricity damage to the Pre-AMP make sure that the human body , the soldering iron is connected to ground before using .
7. Put decoupling device between Vcc and GND for reduce the noise from power supply line .
8. The performance of remote-control system depends on environments condition and ability of periferal parts. Customer should evaluate the performance as total system in those conditions after system up with components such as commander , micon and this receiver module .

## Others

1. This device is not design to endure radiative rays and heavily charged particles .
2. In case where any trouble or questions arise, both parties agree to make full discussion covering the said problem .