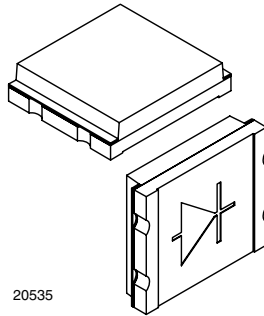


## Silicon PIN Photodiode, RoHS Compliant, Released for Lead (Pb)-free Reflow Soldering, AEC-Q101 Released



20535

### DESCRIPTION

TEM5080X01 is a PIN photodiode with enhanced blue sensitivity. The miniature surface mount package (SMD) include a chip with 7.7 mm<sup>2</sup> sensitive area, covered by clear epoxy.

### FEATURES

- Package type: surface mount
- Package form: top view
- Dimensions (L x W x H in mm): 5 x 4.24 x 1.12
- Radiant sensitive area (in mm<sup>2</sup>): 7.7
- AEC-Q101 qualified
- Enhanced blue photo sensitivity: S (400 nm) rel > 30 %
- Peak sensitivity at 940 nm
- Suitable for visible and near infrared radiation
- Low junction capacitance
- Fast response times
- Angle of half sensitivity:  $\varphi = \pm 65^\circ$
- Floor life: 72 h, MSL 4, acc. J-STD-020
- Lead (Pb)-free reflow soldering
- Lead (Pb)-free component
- Compliant to RoHS directive 2002/95/EC and in accordance to WEEE 2002/96/EC


**RoHS**  
COMPLIANT

### APPLICATIONS

- High speed photo detector

### PRODUCT SUMMARY

COMPONENT	$I_{ra}$ ( $\mu$ A)	$\varphi$ (deg)	$\lambda_{0.1}$ (nm)
TEM5080X01	60	$\pm 65$	350 to 1100

#### Note

Test conditions see table "Basic Characteristics"

### ORDERING INFORMATION

ORDERING CODE	PACKAGING	REMARKS	PACKAGE FORM
TEM5080X01	Tape and reel	MOQ: 1500 pcs, 1500 pcs/reel	Top view

#### Note

MOQ: minimum order quantity

### ABSOLUTE MAXIMUM RATINGS

PARAMETER	TEST CONDITION	SYMBOL	VALUE	UNIT
Reverse voltage		$V_R$	25	V
Power dissipation	$T_{amb} \leq 25^\circ\text{C}$	$P_V$	215	mW
Junction temperature		$T_j$	100	$^\circ\text{C}$
Operating temperature range		$T_{amb}$	- 40 to + 100	$^\circ\text{C}$
Storage temperature range		$T_{stg}$	- 40 to + 110	$^\circ\text{C}$
Soldering temperature	Acc. reflow solder profile fig. 8	$T_{sd}$	260	$^\circ\text{C}$
Thermal resistance junction/ambient		$R_{thJA}$	350	K/W

#### Note

$T_{amb} = 25^\circ\text{C}$ , unless otherwise specified

Vishay Semiconductors Silicon PIN Photodiode, RoHS Compliant,  
Released for Lead (Pb)-free Reflow  
Soldering, AEC-Q101 Released

BASIC CHARACTERISTICS						
PARAMETER	TEST CONDITION	SYMBOL	MIN.	TYP.	MAX.	UNIT
Forward voltage	$I_F = 50 \text{ mA}$	$V_F$		1	1.3	V
Breakdown voltage	$I_R = 100 \text{ }\mu\text{A}, E = 0$	$V_{(BR)}$	25			V
Reverse dark current	$V_R = 10 \text{ V}, E = 0$	$I_{ro}$		2	10	nA
Diode capacitance	$V_R = 0 \text{ V}, f = 1 \text{ MHz}, E = 0$	$C_D$		90		pF
	$V_R = 3 \text{ V}, f = 1 \text{ MHz}, E = 0$	$C_D$		30	40	pF
Open circuit voltage	$E_e = 1 \text{ mW/cm}^2, \lambda = 950 \text{ nm}$	$V_o$		350		mV
Temperature coefficient of $V_o$	$E_e = 1 \text{ mW/cm}^2, \lambda = 950 \text{ nm}$	$TK_{V_o}$		-2.6		mV/K
Short circuit current	$E_e = 1 \text{ mW/cm}^2, \lambda = 950 \text{ nm}$	$I_k$		50		$\mu\text{A}$
Temperature coefficient of $I_k$	$E_e = 1 \text{ mW/cm}^2, \lambda = 950 \text{ nm}$	$TK_{I_k}$		0.1		%/K
Reverse light current	$E_e = 1 \text{ mW/cm}^2, \lambda = 400 \text{ nm}, V_R = 5 \text{ V}$	$I_{ra}$		18		$\mu\text{A}$
	$E_v = 100 \text{ lx}, \text{CIE illuminant A}, V_R = 5 \text{ V}$	$I_{ra}$		8.5		$\mu\text{A}$
	$E_e = 1 \text{ mW/cm}^2, \lambda = 950 \text{ nm}, V_R = 5 \text{ V}$	$I_{ra}$		60		$\mu\text{A}$
Temperature coefficient of $I_{ra}$	CIE illuminant A	$TK_{I_{ra}}$		0.15		%/K
	$\lambda = 950 \text{ nm}$	$TK_{I_{ra}}$		0.1		%/K
Angle of half sensitivity		$\phi$		$\pm 65$		deg
Wavelength of peak sensitivity		$\lambda_p$		940		nm
Range of spectral bandwidth		$\lambda_{0.1}$		350 to 1100		nm
Noise equivalent power	$V_R = 10 \text{ V}, \lambda = 400 \text{ nm}$	NEP		$1.1 \times 10^{-13}$		$\text{W}/\sqrt{\text{Hz}}$
Rise time	$V_R = 5 \text{ V}, R_L = 50 \text{ }\Omega, \lambda = 850 \text{ nm}$	$t_r$		40		ns
Fall time	$V_R = 5 \text{ V}, R_L = 50 \text{ }\Omega, \lambda = 850 \text{ nm}$	$t_f$		40		ns

### Note

$T_{amb} = 25 \text{ }^\circ\text{C}$ , unless otherwise specified

### BASIC CHARACTERISTICS

$T_{amb} = 25 \text{ }^\circ\text{C}$ , unless otherwise specified

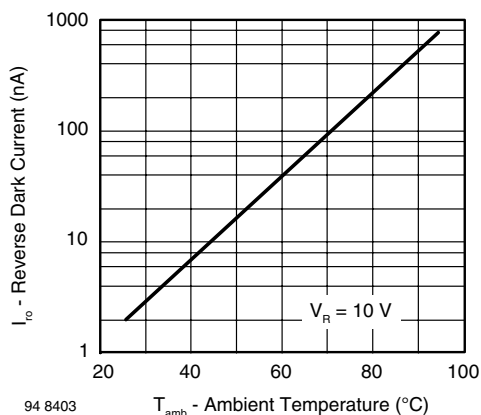


Fig. 1 - Reverse Dark Current vs. Ambient Temperature

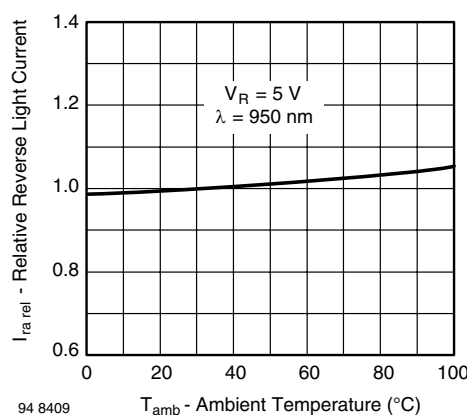


Fig. 2 - Relative Reverse Light Current vs. Ambient Temperature

Silicon PIN Photodiode, RoHS Compliant, Vishay Semiconductors  
Released for Lead (Pb)-free Reflow Soldering, AEC-Q101 Released

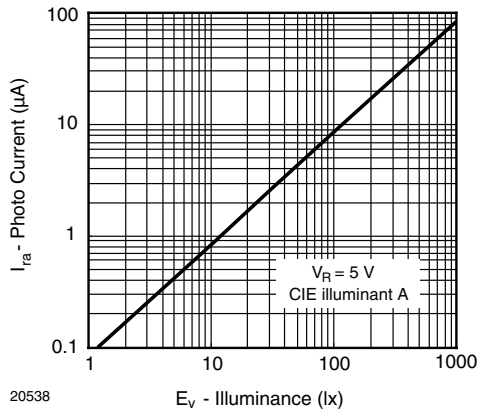


Fig. 3 - Reverse Light Current vs. Irradiance

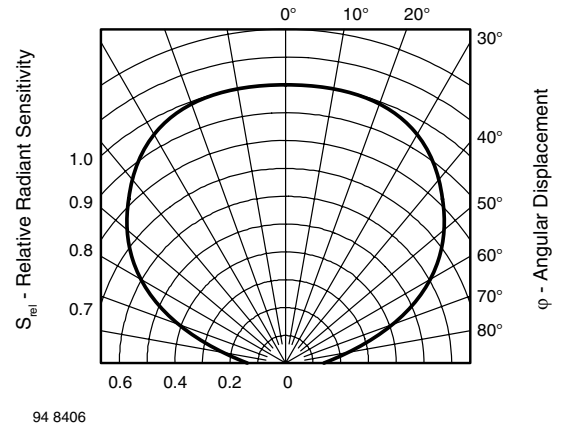


Fig. 6 - Relative Radiant Sensitivity vs. Angular Displacement

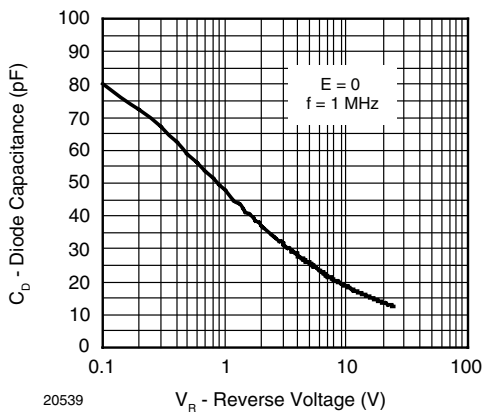


Fig. 4 - Diode Capacitance vs. Reverse Voltage

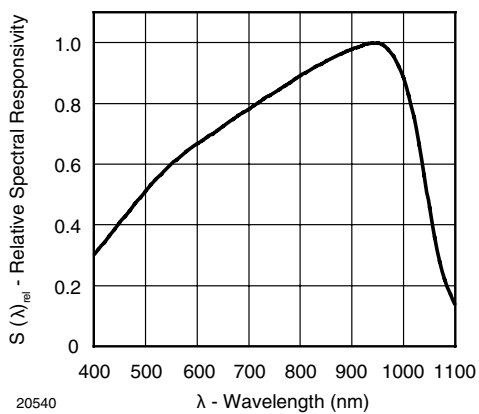


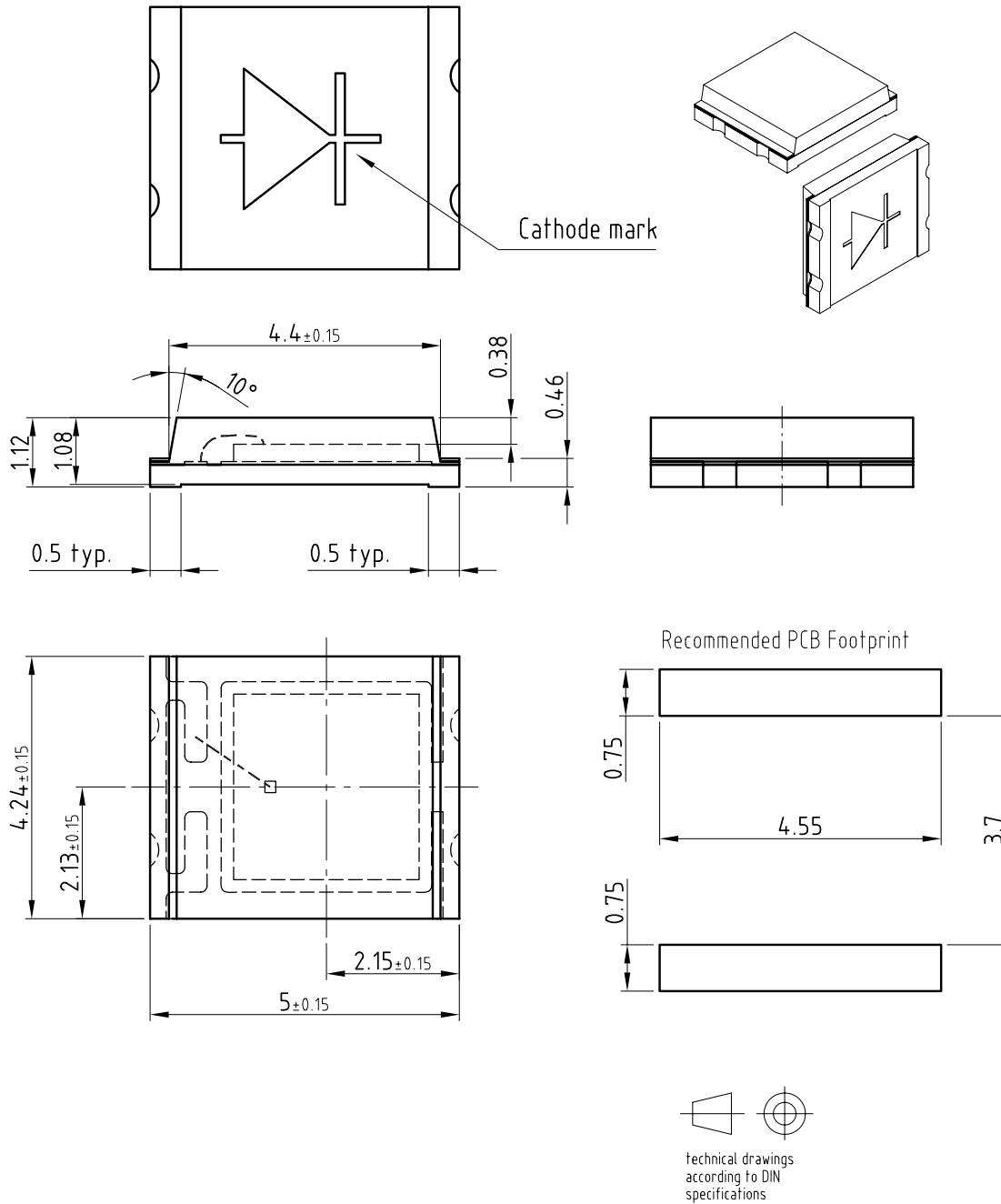
Fig. 5 - Relative Spectral Sensitivity vs. Wavelength

# TEMD5080X01



Vishay Semiconductors Silicon PIN Photodiode, RoHS Compliant,  
Released for Lead (Pb)-free Reflow  
Soldering, AEC-Q101 Released

## PACKAGE DIMENSIONS in millimeters



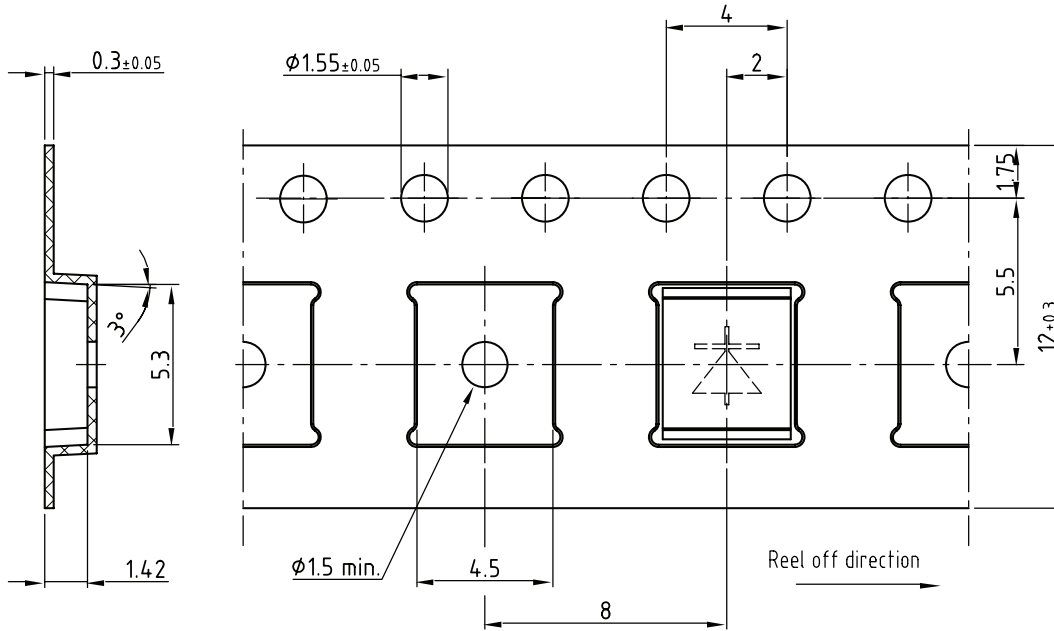
Drawing-No.: 6.541-5060.01-4  
Issue: 3; 05.02.08  
20536

Not indicated tolerances  $\pm 0.1$



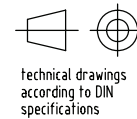
Silicon PIN Photodiode, RoHS Compliant, Vishay Semiconductors  
Released for Lead (Pb)-free Reflow  
Soldering, AEC-Q101 Released

**TAPING DIMENSIONS** in millimeters

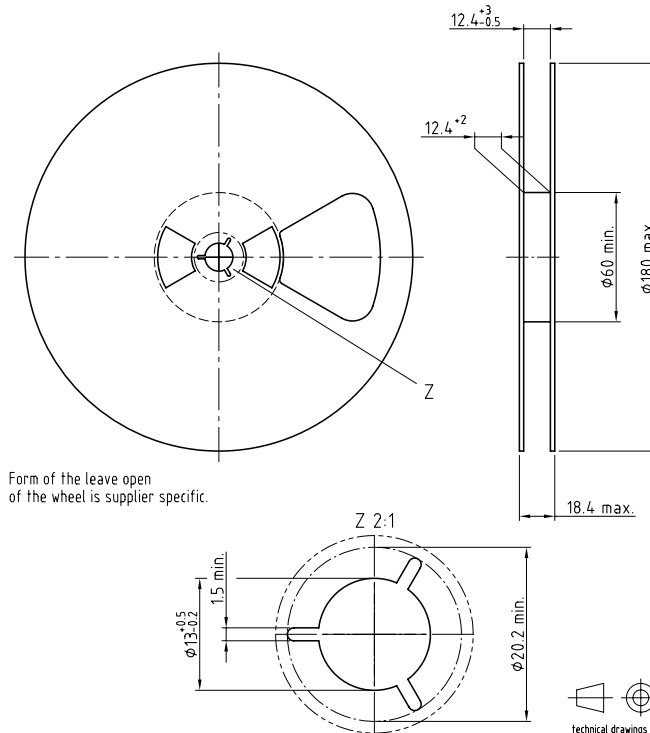


Drawing-No.: 9.700-5293.01-4  
Issue: 1; 03.12.04  
20537

Not indicated tolerances ±0.1



**REEL DIMENSIONS** in millimeters

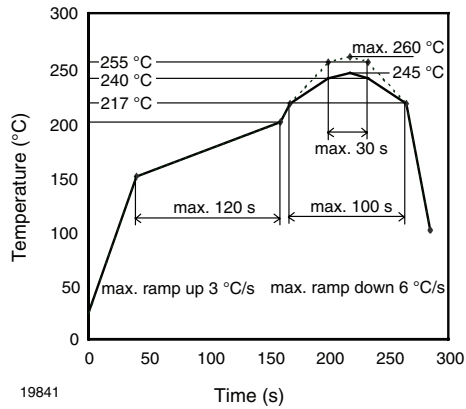


Form of the leave open  
of the wheel is supplier specific.

Drawing-No.: 9.800-5097.01-4  
Issue: 1; 05.05.08  
20874



## SOLDER PROFILE



19841  
Fig. 7 - Lead (Pb)-free Reflow Solder Profile  
acc. J-STD-020D

## DRYPACK

Devices are packed in moisture barrier bags (MBB) to prevent the products from moisture absorption during transportation and storage. Each bag contains a desiccant.

## FLOOR LIFE

Time between soldering and removing from MBB must not exceed the time indicated in J-STD-020:

Moisture sensitivity: level 4

Floor life: 72 h

Conditions:  $T_{amb} < 30\text{ °C}$ ,  $RH < 60\%$

## DRYING

In case of moisture absorption devices should be baked before soldering. Conditions see J-STD-020 or recommended conditions:

192 h at 40 °C (+ 5 °C),  $RH < 5\%$

or

96 h at 60 °C (+ 5 °C),  $RH < 5\%$ .



## Disclaimer

All product specifications and data are subject to change without notice.

Vishay Intertechnology, Inc., its affiliates, agents, and employees, and all persons acting on its or their behalf (collectively, "Vishay"), disclaim any and all liability for any errors, inaccuracies or incompleteness contained herein or in any other disclosure relating to any product.

Vishay disclaims any and all liability arising out of the use or application of any product described herein or of any information provided herein to the maximum extent permitted by law. The product specifications do not expand or otherwise modify Vishay's terms and conditions of purchase, including but not limited to the warranty expressed therein, which apply to these products.

No license, express or implied, by estoppel or otherwise, to any intellectual property rights is granted by this document or by any conduct of Vishay.

The products shown herein are not designed for use in medical, life-saving, or life-sustaining applications unless otherwise expressly indicated. Customers using or selling Vishay products not expressly indicated for use in such applications do so entirely at their own risk and agree to fully indemnify Vishay for any damages arising or resulting from such use or sale. Please contact authorized Vishay personnel to obtain written terms and conditions regarding products designed for such applications.

Product names and markings noted herein may be trademarks of their respective owners.