

# GE Sensing

## Applications

- Microwave ovens
- IR detector for multi-area detection

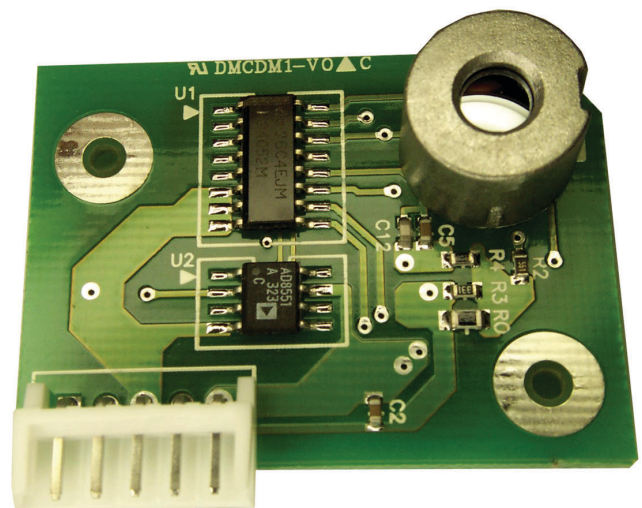
## Features

- Easy application
- Compact size
- Ambient temperature-compensated output

This model provides the temperature compensated quad outputs via two control signals with silicon optical lens. It can also provide a compatibility with the customer's device without the recalibration of the device. Five wire connections are necessary for operation: one for output signal, two signals for controlling the sensing elements, and two for single power supply and ground. The field of view of each element of ZTP-25ASM is about 4 degrees for 50% normalized output and the peak to peak of each element is about 8 degrees. The total size is only 1 in x 1.6 in (30 mm x 40 mm).

# ZTP-25ASM Thermometrics IR Model

ZTP-25ASM is a Thermometrics product. Thermometrics has joined other GE high-technology sensing businesses under a new name—GE Industrial, Sensing.



# ZTP-25ASM Specifications

**Supply Voltage**  
Single supply (+5V)

**Supply Current**  
Typical 3.9 mA

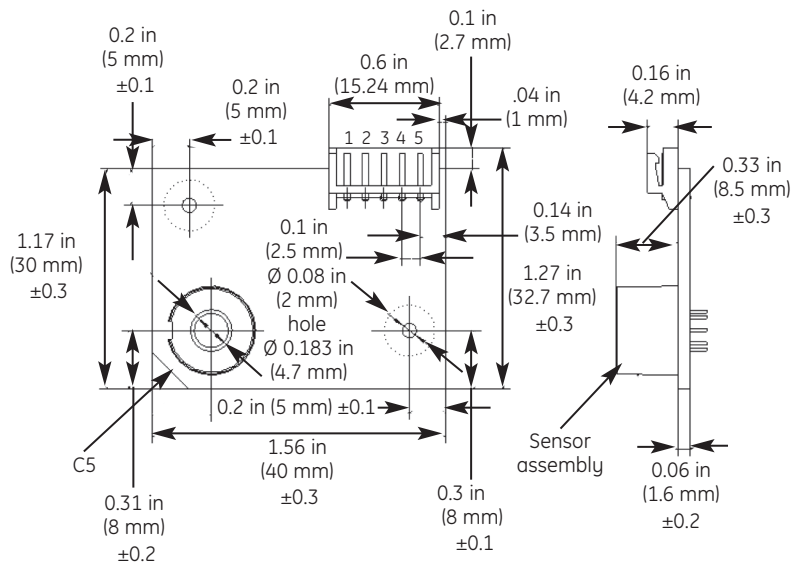
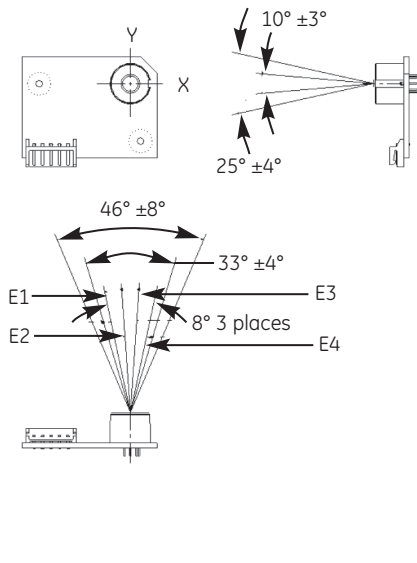
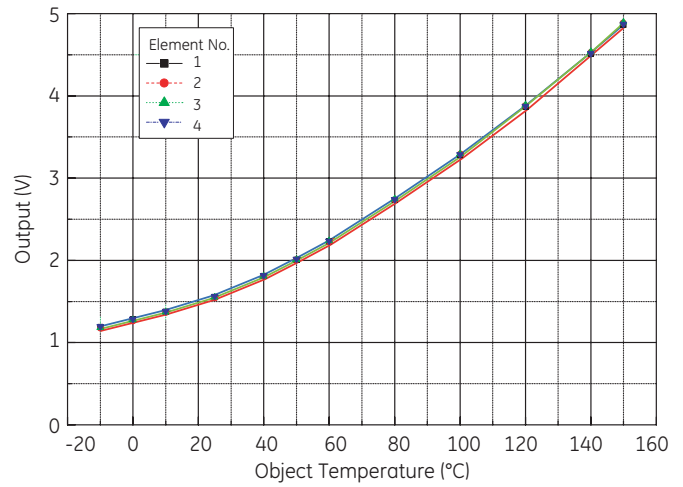
**Response Time**  
Maximum 35 ms

**Range of Measuring Temperature**  
-58°F to 293°F (-50°C to 145°C)

**Operating Temperature**  
-4°F to 212°F (-20°C to 100°C)

**Storage Temperature**  
-4°F to 248°F (-20°C to 120°C)

**Thermopile Sensor**  
ZTP-25A



Field of view of sensor module and package dimensions

