

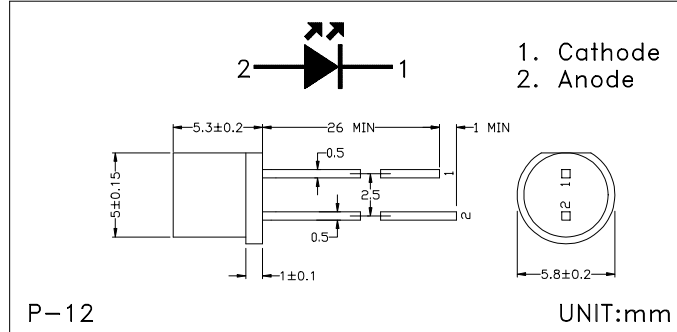
## LED – Light Emitting Diode

Module No.: W05312RUC-W

### Features:

Ø5mm  
 RED  
 Water Clear  
 Ultra Bright  
 PIN=26mm  
 Flat Head

### Dimensions



### Absolute Maximum Ratings

(Ta=25°C)

Descriptions	Symbol	Value	Unit
Continuous Forward Current	IF	30	mA
Peak Forward Current *1	IFM	35	mA
Reverse Voltage	VR	5	V
Operating Temperature	Topr	-25 ~ +65	°C
Storage Temperature	Tstg	-25 ~ +85	°C
Soldering Temperature *2	Tsol	260	°C

\*1 Duty ratio = 1/10, Pulse width = 0.1ms.

\*2 At the position of 2mm from the bottom face of resin package within 5 sec.

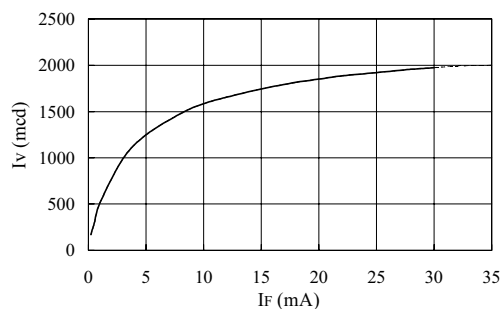
### Electro-optical Characteristics

(Ta=25°C)

Descriptions	Symbol	Conditions	Min.	Typ.	Max.	Unit
Forward Voltage	V <sub>F1</sub>	I <sub>F</sub> =100μA	1.5			V
	V <sub>F2</sub>	I <sub>F</sub> =20mA		2.1	2.5	V
Luminous Intensity *3	I <sub>v</sub>	I <sub>F</sub> =20mA	1200	1850		mcd
Peak Emission Wavelength	λ <sub>p</sub>	I <sub>F</sub> =20mA		660		nm
Spectrum Radiation Bandwidth	Δλ	I <sub>F</sub> =20mA		20		nm
Half Power Beam Angle	Δθ			±50		deg.
Terminal Capacitance	C <sub>t</sub>			25		pF
Response Frequency	f <sub>c</sub>			8		MHz

\*3 Tolerance: ± 30%

Luminous Intensity vs  
Forward Current



Radiation Diagram

