

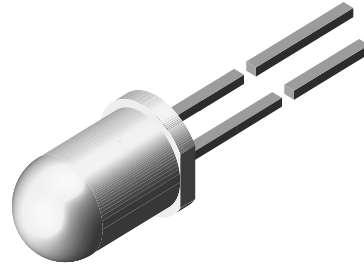
High Power Infrared Emitting Diode, 950 nm, GaAlAs/GaAs

Description

TSAL7200 is a high efficiency infrared emitting diode in GaAlAs on GaAs technology, molded in a clear plastic package.

In comparison with the standard GaAs on GaAs technology these emitters achieve more than 100 % radiant power improvement at a similar wavelength.

The forward voltages at low current and at high pulse current roughly correspond to the low values of the standard technology. Therefore these emitters are ideally suitable as high performance replacements of standard emitters.



94 8389

Features

- Extra high radiant power and radiant intensity
- High reliability
- Low forward voltage
- Suitable for high pulse current operation
- Standard T-1 $\frac{3}{4}$ (\varnothing 5 mm) package
- Angle of half intensity $\varphi = \pm 17^\circ$
- Peak wavelength $\lambda_p = 940$ nm
- Good spectral matching to Si photodetectors
- Lead-free component
- Component in accordance to RoHS 2002/95/EC and WEEE 2002/96/EC

Applications

- Infrared remote control units with high power requirements
- Free air transmission systems
- Infrared source for optical counters and card readers
- IR source for smoke detectors

Absolute Maximum Ratings

$T_{amb} = 25^\circ\text{C}$, unless otherwise specified

| Parameter | Test condition | Symbol | Value | Unit |
|---|--------------------------------------|------------|---------------|------------------|
| Reverse Voltage | | V_R | 5 | V |
| Forward current | | I_F | 100 | mA |
| Peak Forward Current | $t_p/T = 0.5, t_p = 100 \mu\text{s}$ | I_{FM} | 200 | mA |
| Surge Forward Current | $t_p = 100 \mu\text{s}$ | I_{FSM} | 1.5 | A |
| Power Dissipation | | P_V | 210 | mW |
| Junction Temperature | | T_j | 100 | $^\circ\text{C}$ |
| Operating Temperature Range | | T_{amb} | - 55 to + 100 | $^\circ\text{C}$ |
| Storage Temperature Range | | T_{stg} | - 55 to + 100 | $^\circ\text{C}$ |
| Soldering Temperature | $t \leq 5$ sec, 2 mm from case | T_{sd} | 260 | $^\circ\text{C}$ |
| Thermal Resistance Junction/ Ambient | | R_{thJA} | 350 | K/W |

Electrical Characteristics

$T_{amb} = 25\text{ }^{\circ}\text{C}$, unless otherwise specified

| Parameter | Test condition | Symbol | Min | Typ. | Max | Unit |
|----------------------------|---|------------|-----|------|-----|---------------|
| Forward Voltage | $I_F = 100\text{ mA}$, $t_p = 20\text{ ms}$ | V_F | | 1.35 | 1.6 | V |
| | $I_F = 1\text{ A}$, $t_p = 100\text{ }\mu\text{s}$ | V_F | | 2.6 | 3 | V |
| Temp. Coefficient of V_F | $I_F = 100\text{ mA}$ | TK_{V_F} | | -1.3 | | mV/K |
| Reverse Current | $V_R = 5\text{ V}$ | I_R | | | 10 | μA |
| Junction capacitance | $V_R = 0\text{ V}$, $f = 1\text{ MHz}$, $E = 0$ | C_j | | 25 | | pF |

Optical Characteristics

$T_{amb} = 25\text{ }^{\circ}\text{C}$, unless otherwise specified

| Parameter | Test condition | Symbol | Min | Typ. | Max | Unit |
|----------------------------------|---|------------------|-----|----------|-----|-------|
| Radiant Intensity | $I_F = 100\text{ mA}$, $t_p = 20\text{ ms}$ | I_e | 40 | 60 | 200 | mW/sr |
| | $I_F = 1.0\text{ A}$, $t_p = 100\text{ }\mu\text{s}$ | I_e | 340 | 500 | | mW/sr |
| Radiant Power | $I_F = 100\text{ mA}$, $t_p = 20\text{ ms}$ | ϕ_e | | 35 | | mW |
| Temp. Coefficient of ϕ_e | $I_F = 20\text{ mA}$ | TK_{ϕ_e} | | -0.6 | | %/K |
| Angle of Half Intensity | | ϕ | | ± 17 | | deg |
| Peak Wavelength | $I_F = 100\text{ mA}$ | λ_p | | 940 | | nm |
| Spectral Bandwidth | $I_F = 100\text{ mA}$ | $\Delta\lambda$ | | 50 | | nm |
| Temp. Coefficient of λ_p | $I_F = 100\text{ mA}$ | TK_{λ_p} | | 0.2 | | nm/K |
| Rise Time | $I_F = 100\text{ mA}$ | t_r | | 800 | | ns |
| Fall Time | $I_F = 100\text{ mA}$ | t_f | | 800 | | ns |
| Virtual Source Diameter | method: 63% encircled energy | \emptyset | | 2.4 | | mm |

Typical Characteristics ($T_{amb} = 25\text{ }^{\circ}\text{C}$ unless otherwise specified)

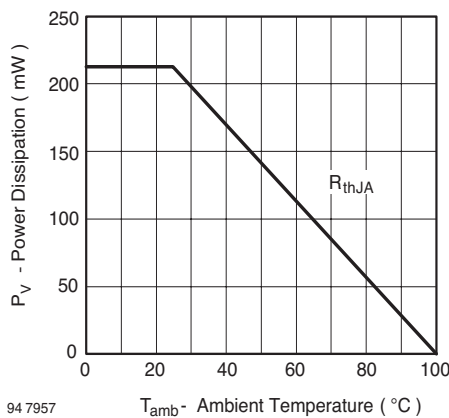


Figure 1. Power Dissipation vs. Ambient Temperature

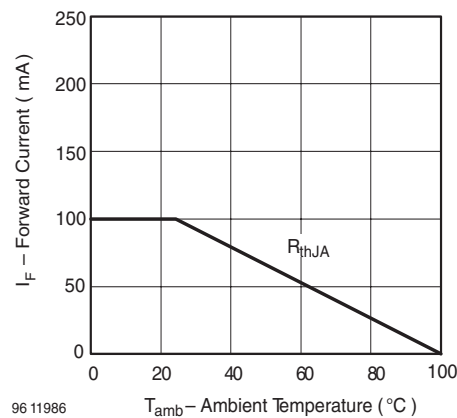


Figure 2. Forward Current vs. Ambient Temperature

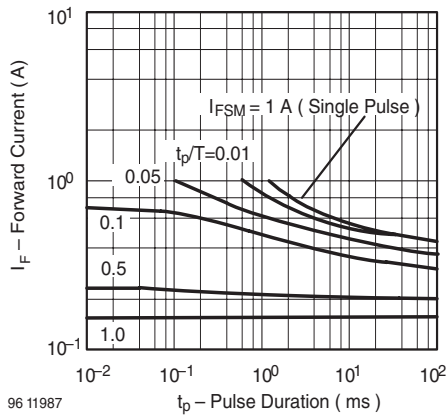


Figure 3. Pulse Forward Current vs. Pulse Duration

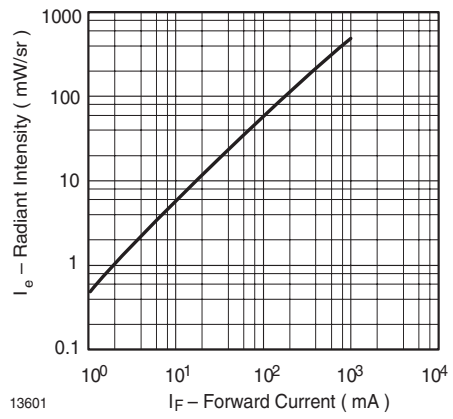


Figure 6. Radiant Intensity vs. Forward Current

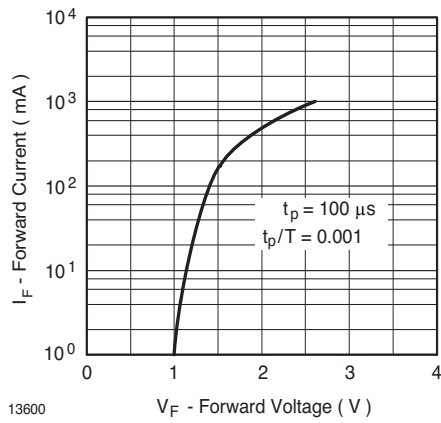


Figure 4. Forward Current vs. Forward Voltage

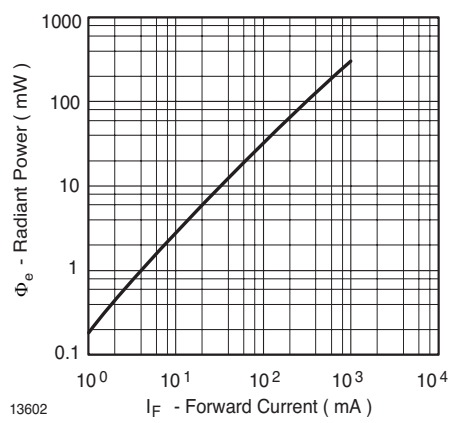


Figure 7. Radiant Power vs. Forward Current

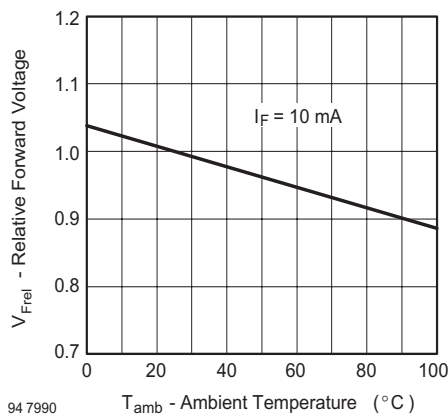


Figure 5. Relative Forward Voltage vs. Ambient Temperature

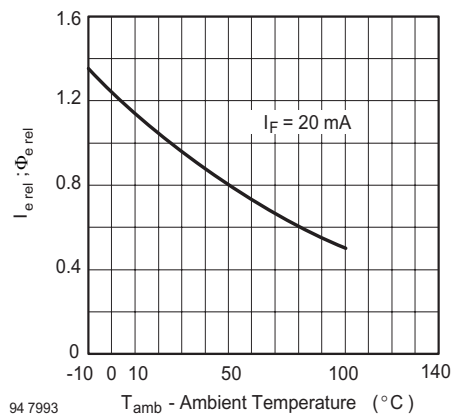


Figure 8. Rel. Radiant Intensity/Power vs. Ambient Temperature

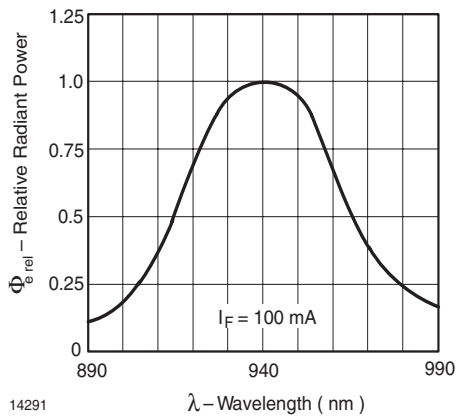


Figure 9. Relative Radiant Power vs. Wavelength

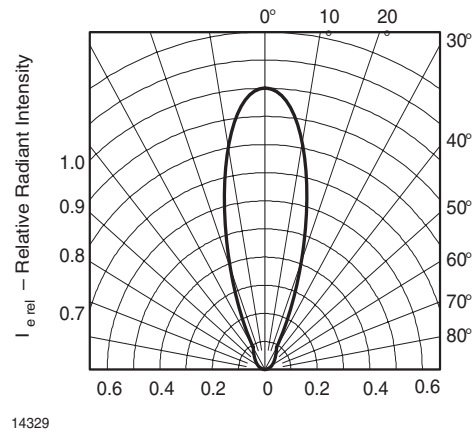
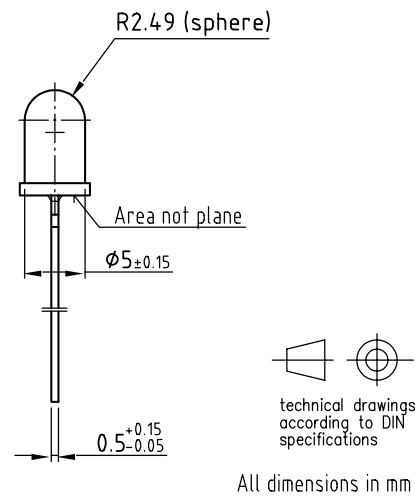
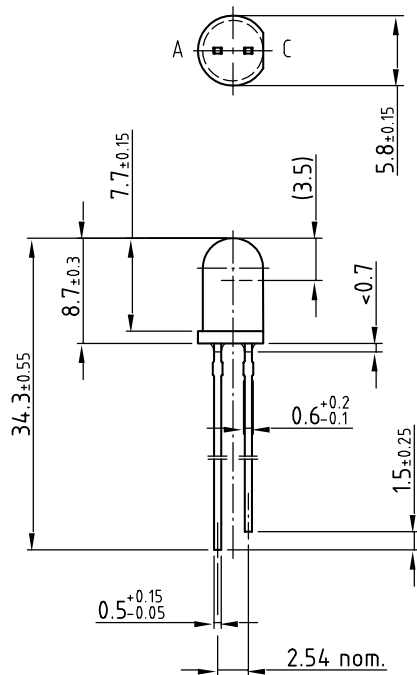


Figure 10. Relative Radiant Intensity vs. Angular Displacement

Package Dimensions in mm



Drawing refers to following types: TSAL 62..
TSAL 72..
TSHF 64..

6.544-5259.06-4
Issue: 3, 01.10.02



Ozone Depleting Substances Policy Statement

It is the policy of Vishay Semiconductor GmbH to

1. Meet all present and future national and international statutory requirements.
2. Regularly and continuously improve the performance of our products, processes, distribution and operating systems with respect to their impact on the health and safety of our employees and the public, as well as their impact on the environment.

It is particular concern to control or eliminate releases of those substances into the atmosphere which are known as ozone depleting substances (ODSs).

The Montreal Protocol (1987) and its London Amendments (1990) intend to severely restrict the use of ODSs and forbid their use within the next ten years. Various national and international initiatives are pressing for an earlier ban on these substances.

Vishay Semiconductor GmbH has been able to use its policy of continuous improvements to eliminate the use of ODSs listed in the following documents.

1. Annex A, B and list of transitional substances of the Montreal Protocol and the London Amendments respectively
2. Class I and II ozone depleting substances in the Clean Air Act Amendments of 1990 by the Environmental Protection Agency (EPA) in the USA
3. Council Decision 88/540/EEC and 91/690/EEC Annex A, B and C (transitional substances) respectively.

Vishay Semiconductor GmbH can certify that our semiconductors are not manufactured with ozone depleting substances and do not contain such substances.

We reserve the right to make changes to improve technical design and may do so without further notice.

Parameters can vary in different applications. All operating parameters must be validated for each customer application by the customer. Should the buyer use Vishay Semiconductors products for any unintended or unauthorized application, the buyer shall indemnify Vishay Semiconductors against all claims, costs, damages, and expenses, arising out of, directly or indirectly, any claim of personal damage, injury or death associated with such unintended or unauthorized use.

Vishay Semiconductor GmbH, P.O.B. 3535, D-74025 Heilbronn, Germany
Telephone: 49 (0)7131 67 2831, Fax number: 49 (0)7131 67 2423



Notice

Specifications of the products displayed herein are subject to change without notice. Vishay Intertechnology, Inc., or anyone on its behalf, assumes no responsibility or liability for any errors or inaccuracies.

Information contained herein is intended to provide a product description only. No license, express or implied, by estoppel or otherwise, to any intellectual property rights is granted by this document. Except as provided in Vishay's terms and conditions of sale for such products, Vishay assumes no liability whatsoever, and disclaims any express or implied warranty, relating to sale and/or use of Vishay products including liability or warranties relating to fitness for a particular purpose, merchantability, or infringement of any patent, copyright, or other intellectual property right.

The products shown herein are not designed for use in medical, life-saving, or life-sustaining applications. Customers using or selling these products for use in such applications do so at their own risk and agree to fully indemnify Vishay for any damages resulting from such improper use or sale.