

- **WITH ACCESS TO DIGITAL TEMPERATURE AND CORRECTED DIGITAL PRESSURE**
- **LOW-COST, FULLY AMPLIFIED, CALIBRATED, AND COMPENSATED IN A SINGLE PACKAGE**
- **AVAILABLE FOR DIFFERENTIAL, GAGE, & SINGLE-ENDED APPLICATIONS**
- **MULTIPLE PRESSURE RANGES AVAILABLE TO MEASURE PRESSURE DOWN TO 0.15 PSI FULL-SCALE AND UP TO 1.5 PSI FULL-SCALE**

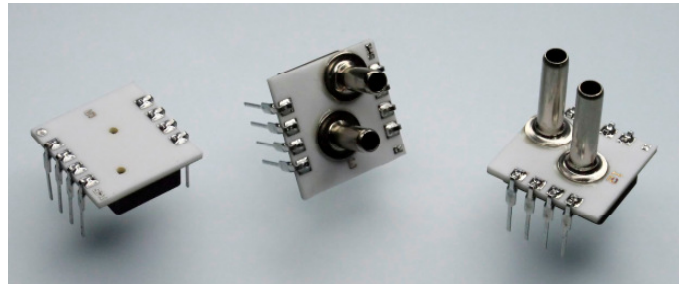
DESCRIPTION

The Silicon Microstructures **SM5852** series of OEM pressure sensors combines state-of-the-art pressure sensor technology with CMOS digital signal processing technology to produce an amplified, fully conditioned, multi-order pressure and temperature compensated sensor in a dual in-line package (DIP) configuration.

Combining the pressure sensor with a custom signal conditioning ASIC in a single package simplifies the use of advanced silicon micromachined pressure sensors. Now, the pressure sensor can be mounted directly to a standard printed circuit board and an amplified, high level, calibrated pressure signal can be acquired from the digital interface or analog output. This eliminates the need of additional circuitry, such as a compensation network or micro-controller containing a custom correction algorithm.

The **SM5852** Series pressure sensors are based on SMI's highly stable, piezoresistive pressure sensor chips mounted on a ceramic substrate. An electronically programmable ASIC is contained in the same package to provide calibration and temperature compensation.

The model **SM5852** is designed for operating pressure ranges from 0.15 PSI up to 1.5 PSI. For both models, the sensor output is ratiometric with the supply voltage.



FEATURES

- Amplified, calibrated, fully signal
- Conditioned output span of 4.0 VDC full-scale (0.5 to 4.5 V signal)
- Digital temperature and calibrated pressure available through I²C interface
- Output is ratiometric with supply voltage
- Multi-order correction for pressure non-linearity (factory programmed)
- Multi-order correction for temperature coefficient of span and offset (factory programmed)
- Absolute, differential, gage, and single ended versions
- SMI's unique low-pressure die allows for a full-scale pressure range of 0-0.15 PSI

TYPICAL APPLICATIONS

- Barometric measurement
- Medical instrumentation
- Pneumatic control
- Gas flow
- Respirators and ventilators
- Heating, Ventilation and Air Conditioning (HVAC)

THEORY OF OPERATION

The operation of the signal processor is depicted in the block diagram below. The external pressure sensor is a piezoresistive bridge. This transduces the applied pressure into an electronic signal, which feeds into the integrated amplifier of the ASIC.

During the amplification step an offset correction factor is added in order to allow maximum gain for a given pressure while minimizing the offset error.

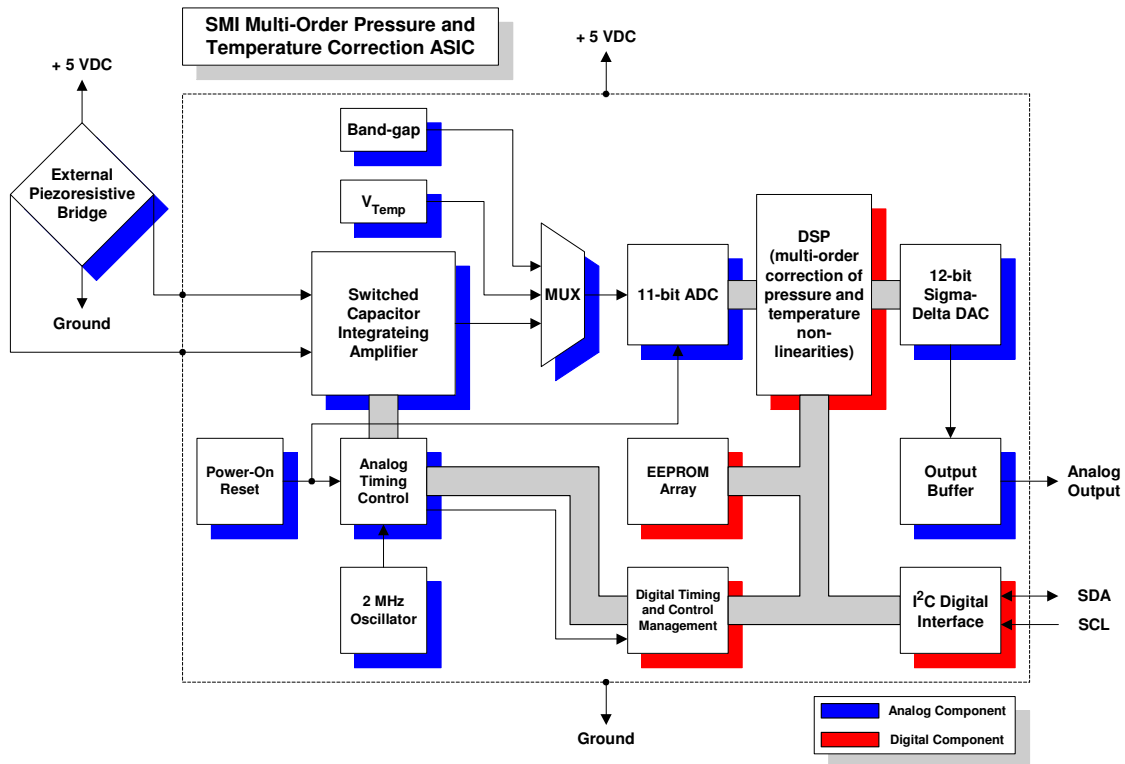
The signal is then passed to an 11-bit analog to digital converter (ADC). The ADC samples the signal multiple times and uses the sum of those samples as a 13-bit word.

A digital signal processor (DSP) is then used to correct and calibrate the pressure signal. The DSP provides multi-order correction of both pressure and temperature non-linearity through the use of factory-programmed

coefficients. A combined total of twenty coefficients are available for correcting pressure and temperature non-linearity. The unique coefficients are determined during a calibration process performed at the factory. Factory calibration is the last step performed which means the effect of the package on the pressure signal will also be taken into account. This provides a great advantage over conventional laser-trimming approaches.

The DSP outputs a corrected digital word, which travels to a 12-bit digital to analog converter (DAC) to provide a calibrated analog output. In addition to the analog output, the corrected pressure signal is accessible through an I²C digital interface.

See SMI application note AN05-001 for a detailed description of how to read out the digital corrected pressure signal using the I2C bus interface.



CHARACTERISTICS FOR SM5852 – SPECIFICATIONS

All parameters are measured at room temperature while applying 5.000V supply, unless otherwise specified.

	Absolute ¹ , Gage & Single ²			Differential ³			UNITS	NOTES
	MIN	TYP	MAX	MIN	TYP	MAX		
Zero output (gage)	0.42	0.50	0.58				V	4
Zero output (differential)				2.42	2.50	2.58	V	4
Output Span	3.92	4.00	4.08	1.96	2.00	2.04	V FS	4, 5, 6
0.15 PSI	3.80	4.00	4.20	1.90	2.00	2.10	V FS	4, 5, 6
Linearity	-0.5		+0.5	-0.5		+0.5	%FS	6, 7
0.15 PSI	-2.5		+2.5	-2.5		+2.5	%FS	6, 7
Pressure hysteresis	5812	-0.1	+0.1	-0.1		+0.1	%FS	8
5852	-0.3		+0.3	-0.3		+0.3	%FS	8
Temperature coefficient - Zero	-1.0		+1.0	-1.0		+1.0	%FS	6
0.15 PSI	-2.5		+2.5	-2.5		+2.5	%FS	6
Temperature coefficient – Span	-1.0		+1.0	-1.0		+1.0	%FS	6
0.15 PSI	-2.0		+2.0	-2.0		+2.0	%FS	6
Thermal hysteresis	-0.1		+0.1	-0.1		+0.1	%FS	8
Response Time	2			2			msec	8
Supply voltage	4.75	5.00	5.25	4.75	5.00	5.25	V	4, 9
Current consumption			10			10	mA	6
Overpressure	5812	3X		3X			%FS	8, 10
5852	15X			15X			%FS	8, 10
Operating temperature range	-40	25	+125	-40	25	+125	°C	8
Compensated temperature range	0	25	+75	0	25	+75	°C	11
Storage temperature range	-40	25	+125	-40	25	+125	°C	8
Media compatibility								8, 12
Weight		3			3		gram	8

Notes:

1. Absolute parts are only offered in the SM5812 Series.
2. Single-ended parts (Pressure Type - S) have 2 ports and are for higher gain differential applications where the differential pressure is **always** positive.
3. Applies for positive pressure only.
4. Sensor output is ratiometric to supply.
5. Full-scale (FS) is defined as zero pressure to rated pressure; differential parts can be used \pm FS. Absolute and Gauge zero output is 0.5 V typical and full-scale output is 4.5 V. Span is the difference between Full-scale output and zero output, (4 V). For Differential parts, the negative full-scale is typically at 0.5 V, zero is typically 2.5 V, and positive full-scale is 4.5 V to give a span of \pm 2.0 V.
6. Tested on 100% of the parts.
7. Defined as best fit straight line for positive pressure applied to the part
8. Tested on a sample basis.
9. A 100 nF filter capacitor must be placed between Vsupply and Ground.
10. Or 225 PSI, whichever is less. Output amplifier will saturate at about 0.25 V for applied pressure below the rated Zero and at about 4.75 V for applied pressure above the rated Full-scale.
11. Measured at 15 °C and 75 °C.
12. Clean, dry gas compatible with wetted materials. Wetted materials include Pyrex glass, silicon, alumina ceramic, epoxy, RTV, gold, aluminum, and nickel.

ADDITIONAL INFORMATION

Package Dimensions & Pin-Out

Dual Inline Pin (DIP) Option

0.13 OD x 0.08 ID
2 Tubes

Ceramic Substrate (0.040)

Ceramic Cover (0.37 X 0.55)

0.02 Typ, 8 Pins

Pin Numbers (for both DIP & Surface Mount)

PIN	DESCRIPTION
1	NC
2	GROUND
3	NC
4	SERIAL DATA (SDA)
5	SERIAL CLOCK (SCL)
6	NC
7	V _{exc} = 5.000 VDC
8	ANALOG OUTPUT

NOTES:

- Do **not** connect to NC pins.
- External connections to NC pins will cause part malfunction.
- All dimensions are shown in inches.
- Tolerance on all dimensions +0.005" unless otherwise specified.

Ordering Information

Pin Configuration
3 : DIP pins, opposite direction of tubes
5 : Surface mountable pins, opposite direction of tubes

Tube Length
L : Long (0.48" ± 0.005")
N : No tube

Pressure Type
A : Absolute (1 port)
D : Differential (2 ports)
G : Gauge (1 port)
S : Single-ended (2 ports)

Notes

- Absolute configuration only available in SM5812.
- Single-ended configuration is for higher gain differential applications where differential pressure is **always** positive.
- Other configurations available on large orders. Consult SMI for details.

Model Number Pin Configuration

SM5852 - 003 - D - 3 - L

Pressure Range Pressure Type Tube Length

Full-Scale Pressure Ranges

SM5812	PSI	[kPa]	SM5852	PSI	[kPa]
005	5	[34.5]	001	0.15	[1.0]
015	15	[103.4]	003	0.30	[2.1]
030	30	[206.8]	008	0.80	[5.5]
060	60	[413.7]	015	1.50	[10.3]
100	100	[689.5]	030	3.00	[20.7]

Wiring Diagrams

Wiring diagram for analog output

Wiring diagram for digital output

NOTICE

Information in this document is provided solely to enable software and system implementers to use Silicon Microstructures, Inc. products and/or services. No express or implied copyright licenses are granted hereunder to design or fabricate any silicon-based microstructures based on the information in this document.

Silicon Microstructures, Inc. makes no warranty, representation, or guarantee regarding the suitability of its products for any particular purpose, nor does Silicon Microstructures, Inc. assume any liability arising out of the application or use of any product or silicon-based microstructure, and specifically disclaims any and all liability, including without limitation consequential or incidental damages. Parameters that may be provided in Silicon Microstructures, Inc. data sheets and/or specifications can and do vary in different applications and actual performance may vary over time. Silicon Microstructures, Inc. assumes no responsibility for any inaccuracies and/or errors in this publication. All operating parameters must be validated for each customer application by customer's technical experts. Silicon Microstructures, Inc. does not convey any license under its patent rights nor the rights of others. Silicon Microstructures, Inc. makes no representation that the circuits are free of patent infringement. Silicon Microstructures, Inc. products are not designed, intended, or authorized for use as components in systems intended for surgical implant into the body, or other applications intended to support or sustain life, or for any other application in which the failure of the Silicon Microstructures, Inc. product could create a situation where personal injury or death may occur. Should Buyer purchase or use Silicon Microstructures products for any such unintended or unauthorized application, Buyer shall indemnify and hold Silicon Microstructures, Inc. and its officers, employees, subsidiaries, affiliates, and distributors harmless against all claims, costs, damages, and expenses, and reasonable attorney fees arising out of, directly or indirectly, any claim of personal injury or death associated with such unintended or unauthorized use, even if such claim alleges that Silicon Microstructures, Inc. was negligent regarding the design or manufacture of the part. Silicon Microstructures, Inc. reserves the right to make changes without further notice to any products herein

Silicon Microstructures, Inc.[™] and the Silicon Microstructures, Inc. logo are trademarks of Silicon Microstructures, Inc. All other service or product names are the property of their respective owners.
© Silicon Microstructures, Inc. 2001-2008. All rights reserved.