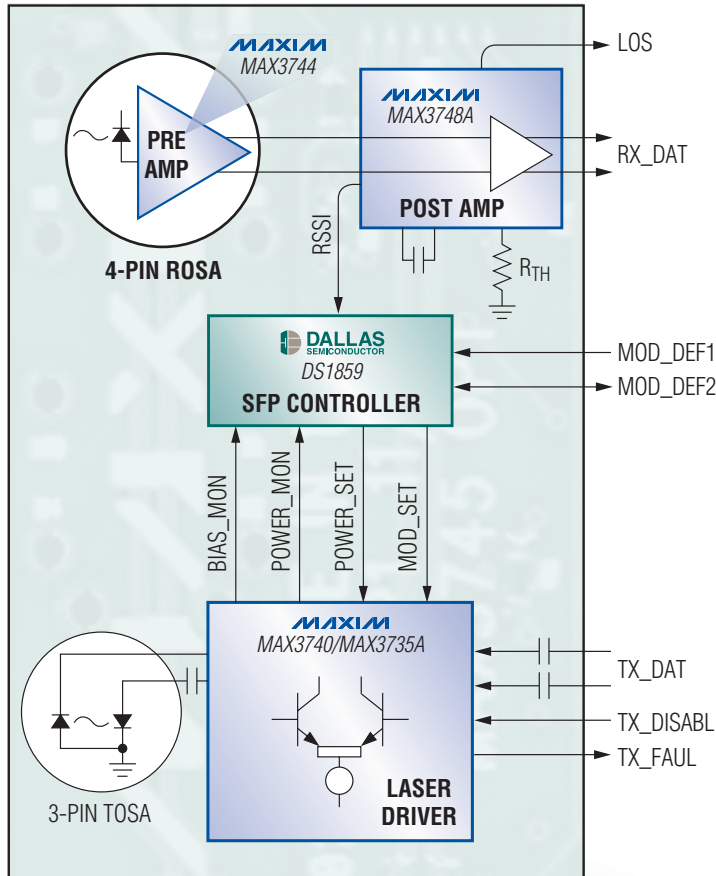


DESIGN LOW-COST FIBER MODULES WITH NEW SFF/SFP CHIPSET

Multirate Chipset Offers Greater Than 35% Eye Margin for 1Gbps or 2Gbps Operation



Using in-house **SiGe BiCMOS** process technology, our Fiber engineers developed a complete **Fiber Module Chipset**.

Fully compliant with **SFP** and **SFF-8742** MSAs, this chipset has less than 1ps random jitter, offers less than 90ps rise time, and has fully integrated diagnostics. These features make this SFF/SFP chipset the industry leading solution **at the lowest cost**.

Design your fiber module today, or use one of our many **reference designs** and start production immediately.



Maxim—Your Fiber Solution Experts

Visit Maxim's website to find the ideal SFF/SFP module chipset for your design.

www.maxim-ic.com/sfp

- ◆ Reference Designs
- ◆ Free Samples
- ◆ Application Notes
- ◆ Evaluation Kits
- ◆ Design Support

MAXIM

MAXIM/DALLAS DIRECT!
DISTRIBUTION
1-888-MAXIM-IC

ARROW
ARROW ELECTRONICS, INC.
1-800-777-2776

AVNET
CILICON
1-800-332-8638

Distributed by Maxim/Dallas Direct!, Arrow, Avnet Electronics Marketing, Digi-Key, and Newark.
MAXIM is a registered trademark of Maxim Integrated Products, Inc. © 2003 Maxim Integrated Products.

