

Oil Burner Control Applications

Photocells D 1160, D 1172, W 5560

Glass encapsulated housing

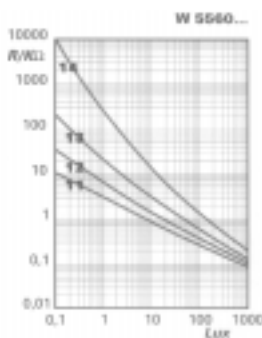
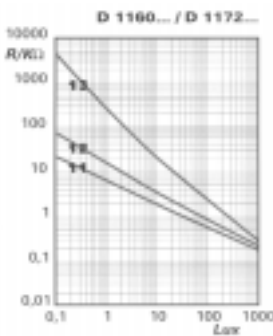
Combustion Control Applications

This Data show two different glass encapsulated photocells in various selections.

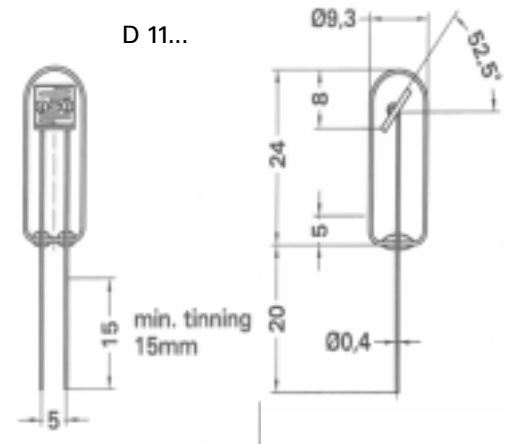
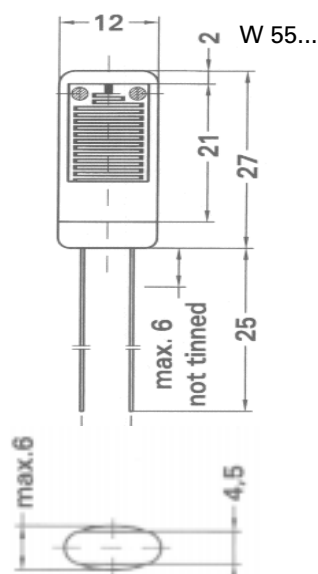
Operating Temperature Range: -20...+70 °C (non continuous)

Storage Temperature Range: -20...+80 °C (non continuous)

*)Operating Temperature Range: -20...+60 °C (non continuous)



Type	R ₁₀	R ₁₀₀	R ₀₁	R ₀₅	V _{max}	P _{max}	γ _{10/100}	λ _{peak}
units	KΩ	KΩ typ.	MΩ min	MΩ min	V	mW	typ.	nm
D1160 12	1,3...2,5	0,5	0,01	0,03	100	150	0,6	600
D1160 13	2...6	0,8	0,02	0,09	100	150	0,7	600
D1172 12, *)	8...60	2,0	0,5	1,5	50	100	1,1	720
W5560 11	0,7...1,5	0,25	0,01	0,03	250	250	0,6	600
W5560 12	1,0...2,0	0,35	0,02	0,06	250	250	0,65	600
W5560 13	1,5...6,0	0,6	0,05	0,15	250	250	0,75	600
W5560 14	5...30	1,5	0,5	1,5	250	250	0,85	600



all Dimensions in mm

Europe:
PerkinElmer Optoelectronics
 GmbH & CoKG
 Wenzel Jaksch Str 31
 65199 Wiesbaden / Germany
 Phone +49(0)611 492 0
 Fax +49(0)611 492 170

USA:
PerkinElmer Optoelectronics
 44370 Christy Street
 Fremont, CA 94538-3180
 Phone +510 979 6500
 +800 775 6786
 Fax +510 687 1140

Asia:
PerkinElmer Optoelectronics
 47, Ayer Rajah Crescent #06-12
 Singapore 139947
 Phone +65 775 2022
 Fax +65 775 1008



Right for modification reserved / WS / 28.8.2003